

CERAFINE D FUNCTIONALITY WITH SQUARE LINES



Ideal Standard

PART OF THE IDEAL STANDARD GROUP

THE TAP THAT NEVER GROWS OLD

With its elegant design and high-performance engineering, the Cerafine D is timeless in every way.



BlueStart®
Technology



EasyFix®
installation



Click
technology



Water
saving

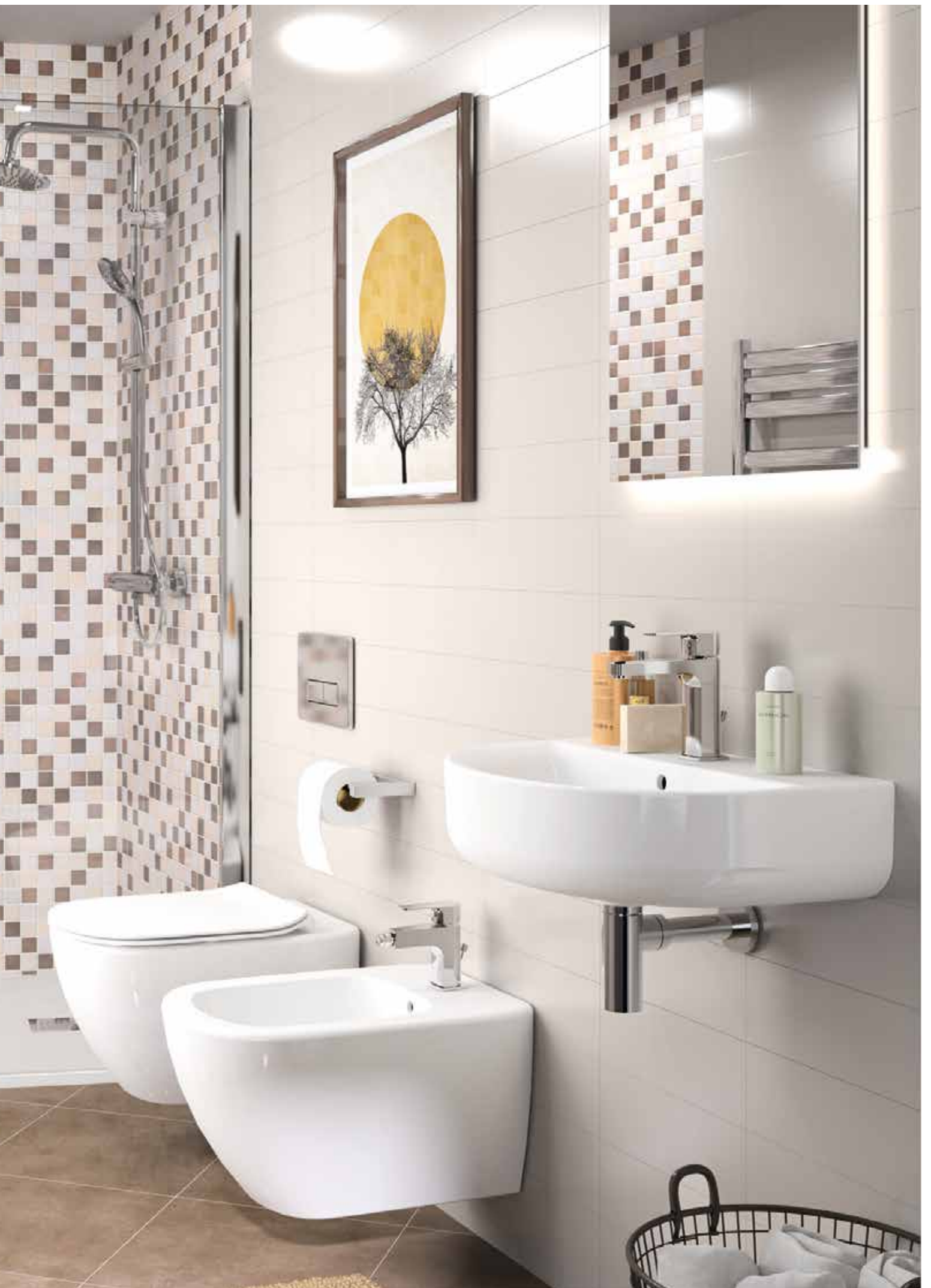


SmartShine®
Finishing



As the ultimate development of the original ceramic disc cartridge, some 50 years on, FirmaFlow® is the undisputed market leader with its innovative engineering and extraordinary powers of durability, comfort and control are achieved for twice as long as the industry standard.





CERAFINE D

TECHNICAL SPECIFICATIONS

Basin mixer H80, metal pop-up waste, 5 l/min



Basin mixer H80, plastic pop-up waste, 5 l/min



Basin mixer H80, 5 l/min



Basin mixer H80 BlueStart®, 5 l/min



Model Ref. No.

Basin mixer H80, metal pop-up waste, 5 l/min BC685AA

Model Ref. No.

Basin mixer H80, plastic pop-up waste, 5 l/min BC684AA

Model Ref. No.

Basin mixer H80, 5 l/min BC682AA

Model Ref. No.

Basin mixer H80 BlueStart®, 5 l/min BC683AA

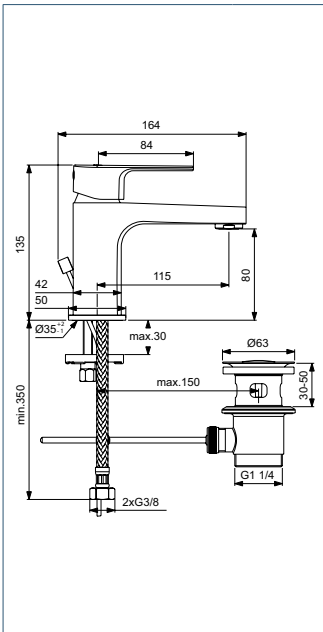
- 28 mm ceramic cartridge FirmaFlow® with hot water limiter
- Metal handle with red and blue indicator
- Perlator aerator with 5 l/min flow rate limiter
- Decorative rosette part of the body (one piece)
- Easy-Fix system for installation
- Flexible hoses G3/8" for water supply system connection
- Metal pop-up waste
- Finish: technology electroplating
- Colour: Chrome

- 28 mm ceramic cartridge FirmaFlow® with hot water limiter
- Metal handle with red and blue indicator
- Perlator aerator with 5 l/min flow rate limiter
- Decorative rosette part of the body (one piece)
- Easy-Fix system for installation
- Flexible hoses G3/8" for water supply system connection
- Plastic pop-up waste
- Finish: technology electroplating
- Colour: Chrome

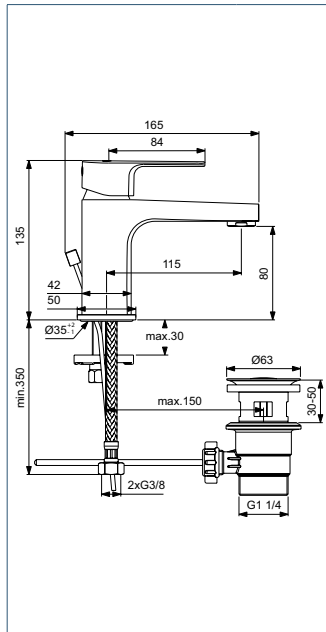
- 28 mm ceramic cartridge FirmaFlow® with hot water limiter
- Metal handle with red and blue indicator
- Perlator aerator with 5 l/min flow rate limiter
- Decorative rosette part of the body (one piece)
- Easy-Fix system for installation
- Flexible hoses G3/8" for water supply system connection
- Finish: technology electroplating
- Colour: Chrome

- 28 mm ceramic cartridge FirmaFlow® with hot water limiter
- BlueStart® technology
- Metal handle with red and blue indicator
- Perlator aerator with 5 l/min flow rate limiter
- Decorative rosette part of the body (one piece)
- Easy-Fix system for installation
- Flexible hoses G3/8" for water supply system connection
- Finish: technology electroplating
- Colour: Chrome

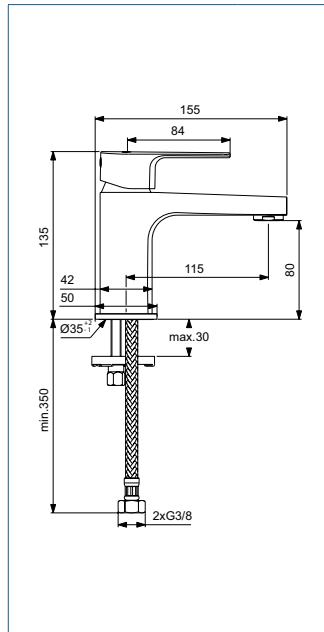
Comply with EN817



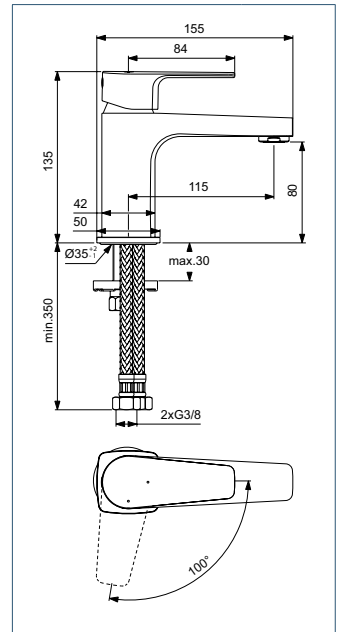
Comply with EN817



Comply with EN817



Comply with EN817



Basin mixer H80
BlueStart®, plastic
pop-up waste, 5 l/min

Basin mixer H105, metal
pop-up waste, 5 l/min

Basin mixer H105, metal
pop-up waste, 5 l/min

Basin mixer H105, plastic
pop-up waste, 5 l/min



Model Ref. No.

Model Ref. No.

Model Ref. No.

Model Ref. No.

Basin mixer H80,
plastic pop-up waste, 5 l/min BC745AA

Basin mixer H105,
metal pop-up waste, 5 l/min BC686AA

Basin mixer H105,
metal pop-up waste, 5 l/min BC686U8

Basin mixer H105,
plastic pop-up waste, 5 l/min BC491AA

- 28 mm ceramic cartridge FirmaFlow® with hot water limiter
- BlueStart® technology
- Metal handle with red and blue indicator
- Perlator aerator with 5 l/min flow rate limiter
- Decorative rosette part of the body (one piece)
- Easy-Fix system for installation
- Flexible hoses G3/8" for water supply system connection
- Plastic pop-up waste
- Finish: technology electroplating
- Colour: Chrome

- 28 mm ceramic cartridge FirmaFlow® with hot water limiter
- Metal handle with red and blue indicator
- Perlator aerator with 5 l/min flow rate limiter
- Decorative rosette part of the body (one piece)
- Easy-Fix system for installation
- Flexible hoses G3/8" for water supply system connection
- Metal pop-up waste
- Finish: technology electroplating
- Colour: Chrome

- 28 mm ceramic cartridge FirmaFlow® with hot water limiter
- Metal handle with red and blue indicator
- Perlator aerator with 5 l/min flow rate limiter
- Decorative rosette part of the body (one piece)
- Easy-Fix system for installation
- Flexible hoses G3/8" for water supply system connection
- Metal pop-up waste
- Finish: technology powder coating
- Colour: Grey/Chrome

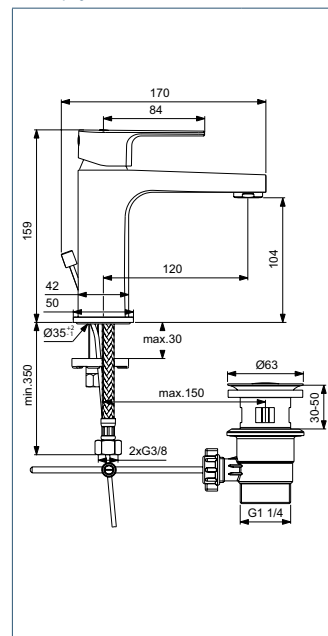
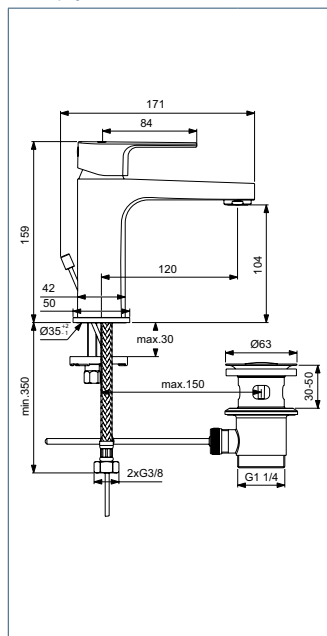
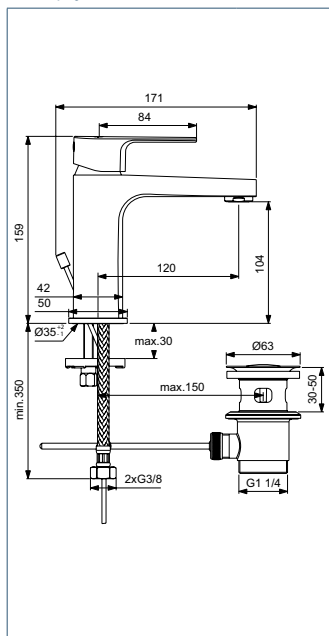
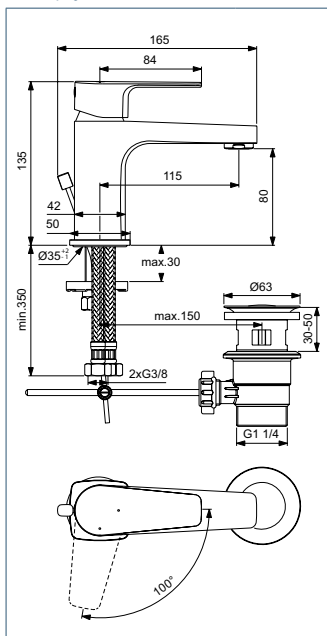
- 28 mm ceramic cartridge FirmaFlow® with hot water limiter
- Metal handle with red and blue indicator
- Perlator aerator with 5 l/min flow rate limiter
- Decorative rosette part of the body (one piece)
- Easy-Fix system for installation
- Flexible hoses G3/8" for water supply system connection
- Plastic pop-up waste
- Finish: technology electroplating
- Colour: Chrome

Comply with EN817

Comply with EN817

Comply with EN817

Comply with EN817



CERAFINE D

TECHNICAL SPECIFICATIONS

Basin mixer H105, 5 l/min



Basin mixer H105
BlueStart®, metal
pop-up waste, 5 l/min



Basin mixer H105
BlueStart®, plastic
pop-up waste, 5 l/min



Basin mixer H105
BlueStart®, 5 l/min



Model Ref. No.
Basin mixer H105,
5 l/min BC553AA

- 28 mm ceramic cartridge FirmaFlow® with hot water limiter
- Metal handle with red and blue indicator
- Perlator aerator with 5 l/min flow rate limiter
- Decorative rosette part of the body (one piece)
- Easy-Fix system for installation
- Flexible hoses G3/8" for water supply system connection
- Finish: technology electroplating
- Colour: Chrome

Comply with EN817

Model Ref. No.
Basin mixer H105
BlueStart®, 5 l/min BC689AA

- 28 mm ceramic cartridge FirmaFlow® with hot water limiter
- BlueStart® technology
- Metal handle with red and blue indicator
- Perlator aerator with 5 l/min flow rate limiter
- Decorative rosette part of the body (one piece)
- Easy-Fix system for installation
- Flexible hoses G3/8" for water supply system connection
- Metal pop-up waste
- Finish: technology electroplating
- Colour: Chrome

Comply with EN817

Model Ref. No.
Basin mixer H105
BlueStart®, 5 l/min BC688AA

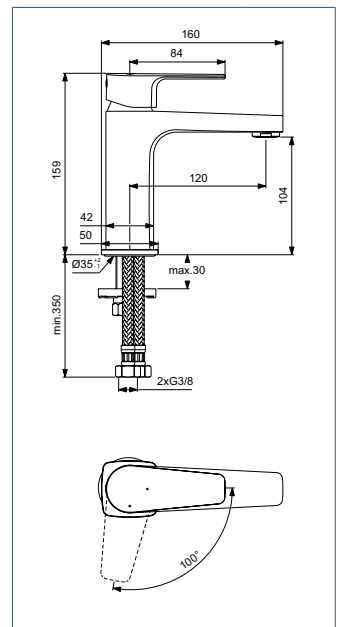
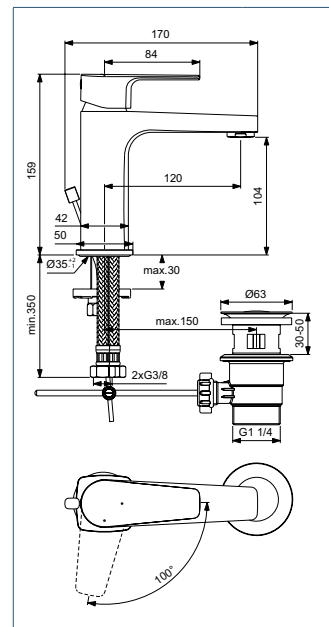
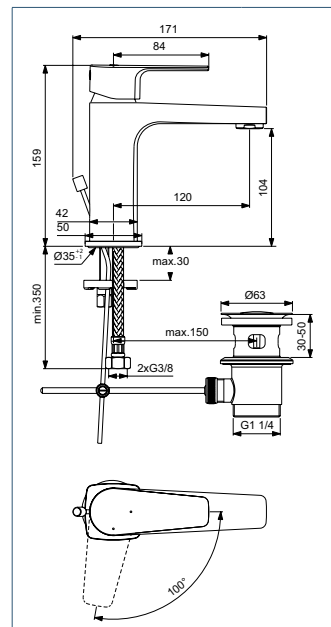
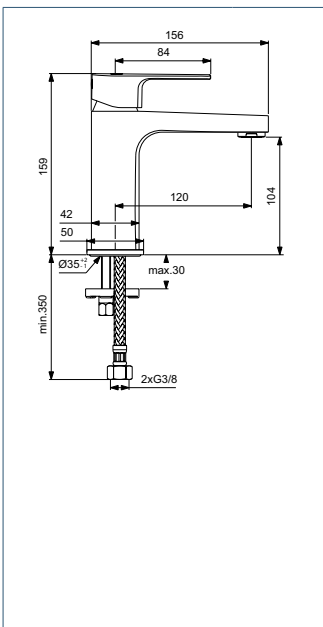
- 28 mm ceramic cartridge FirmaFlow® with hot water limiter
- BlueStart® technology
- Metal handle with red and blue indicator
- Perlator aerator with 5 l/min flow rate limiter
- Decorative rosette part of the body (one piece)
- Easy-Fix system for installation
- Flexible hoses G3/8" for water supply system connection
- Plastic pop-up waste
- Finish: technology electroplating
- Colour: Chrome

Comply with EN817

Model Ref. No.
Basin mixer H105
BlueStart®, 5 l/min BC687AA

- 28 mm ceramic cartridge FirmaFlow® with hot water limiter
- BlueStart® technology
- Metal handle with red and blue indicator
- Perlator aerator with 5 l/min flow rate limiter
- Decorative rosette part of the body (one piece)
- Easy-Fix system for installation
- Flexible hoses G3/8" for water supply system connection
- Finish: technology electroplating
- Colour: Chrome

Comply with EN817



Bidet mixer with pop-up waste, 5 l/min



Bidet mixer BlueStart®, 5 l/min



Bidet mixer, 5 l/min



Exposed shower mixer

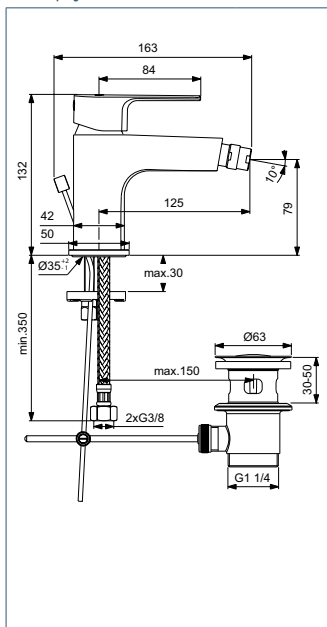


Model Ref. No.

With metal pop-up waste, 5 l/min BC691AA
With plastic pop-up waste, 5 l/min BC492AA

- 28 mm ceramic cartridge FirmaFlow® with hot water limiter
- Metal handle with red and blue indicator
- Aerator with ball joint with 5 l/min flow rate limiter
- Decorative rosette part of the body (one piece)
- Easy-Fix system for installation
- Flexible hoses G3/8" for water supply system connection
- Finish: technology electroplating
- Colour: Chrome

Comply with EN817

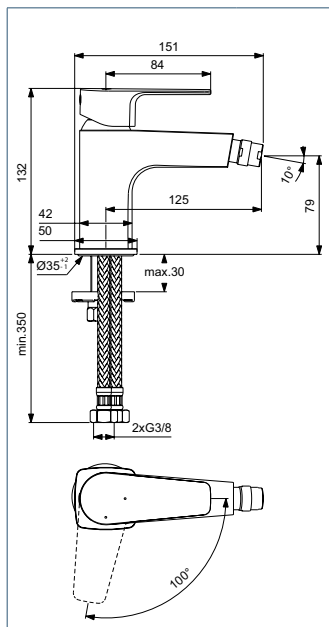


Model Ref. No.

Bidet mixer BlueStart®, 5 l/min BC746AA

- 28 mm ceramic cartridge FirmaFlow® with hot water limiter
- BlueStart® technology
- Metal handle with red and blue indicator
- Aerator with ball joint with 5 l/min flow rate limiter
- Decorative rosette part of the body (one piece)
- Easy-Fix system for installation
- Flexible hoses G3/8" for water supply system connection
- Finish: technology electroplating
- Colour: Chrome

Comply with EN817

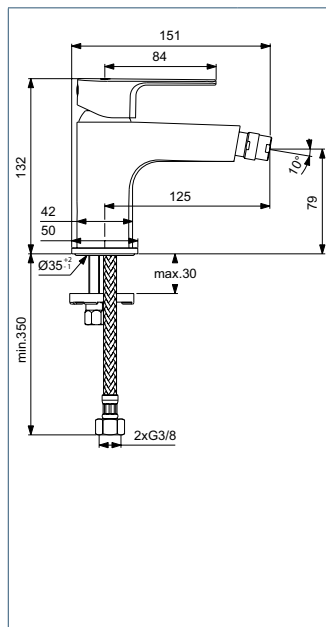


Model Ref. No.

Bidet mixer, 5 l/min BC690AA

- 28 mm ceramic cartridge FirmaFlow® with hot water limiter
- Metal handle with red and blue indicator
- Aerator with ball joint with 5 l/min flow rate limiter
- Decorative rosette part of the body (one piece)
- Easy-Fix system for installation
- Flexible hoses G3/8" for water supply system connection
- Finish: technology electroplating
- Colour: Chrome

Comply with EN817

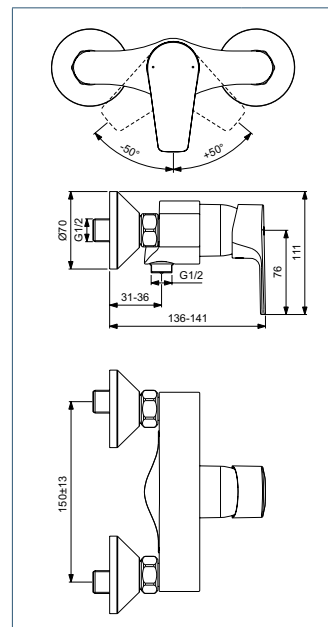


Model Ref. No.

Exposed shower mixer BC493AA

- 38 mm ceramic cartridge FirmaFlow® with hot water limiter
- Metal handle with red and blue indicator
- Check valve
- Standard S-connections
- Finish: technology electroplating
- Colour: Chrome

Comply with EN817



CERAFINE D

TECHNICAL SPECIFICATIONS

Exposed shower mixer



Exposed bath & shower mixer, automatic diverter



Exposed bath & shower mixer, automatic diverter



Exposed bath & shower mixer with accessories



Model Ref. No.

Exposed shower mixer BC493U8

Model Ref. No.

Exposed bath & shower mixer, automatic diverter BC692AA

Model Ref. No.

Exposed bath & shower mixer, automatic diverter BC692U8

Model Ref. No.

Exposed bath & shower mixer with accessories BC693AA

- 38 mm ceramic cartridge FirmaFlow® with hot water limiter
- Metal handle with red and blue indicator
- Check valve
- Standard S-connections
- Finish: technology powder coating
- Colour: Grey/Chrome

Comply with EN817

- 38 mm ceramic cartridge FirmaFlow® with hot water limiter
- Metal handle with red and blue indicator
- Check valve
- Standard S-connections
- Perlator aerator
- Automatic diverter
- Finish: technology electroplating
- Colour: Chrome

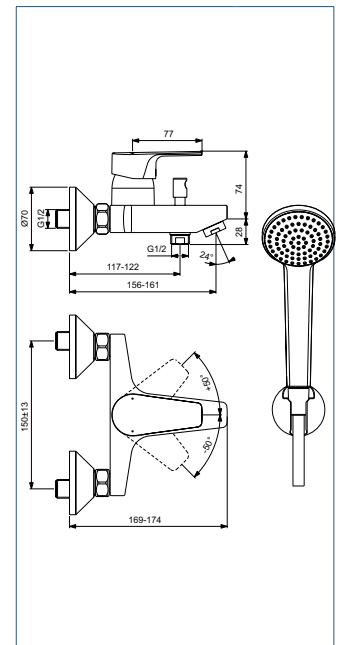
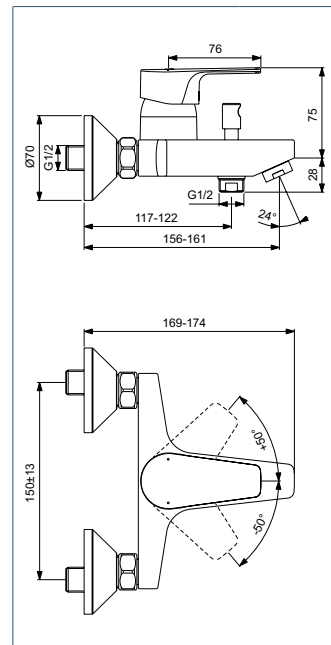
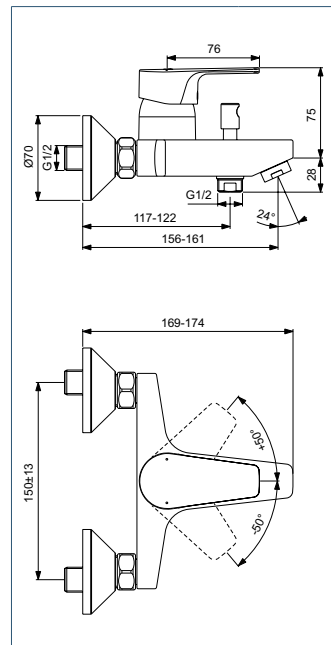
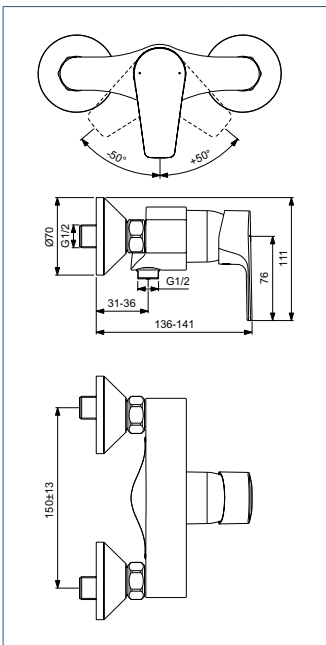
Comply with EN817

- 38 mm ceramic cartridge FirmaFlow® with hot water limiter
- Metal handle with red and blue indicator
- Check valve
- Standard S-connections
- Perlator aerator
- Automatic diverter
- Finish: technology powder coating
- Colour: Grey/Chrome

Comply with EN817

- 38 mm ceramic cartridge FirmaFlow® with hot water limiter
- Metal handle with red and blue indicator
- Check valve
- Standard S-connections
- Perlator aerator
- Automatic diverter
- Accessories: fixed wall bracket, 1F hand shower 100 mm, metal shower hose 1500 mm
- Finish: technology electroplating
- Colour: Chrome

Comply with EN817



Exposed bath & shower mixer, manual diverter

Exposed bath & shower mixer, manual diverter

Built-in shower mixer

Built-in shower mixer



Model Ref. No.

Model Ref. No.

Model Ref. No.

Model Ref. No.

Exposed bath & shower mixer, manual diverter BC494AA

Exposed bath & shower mixer, manual diverter BC494U8

Built-in shower mixer A7188AA

Built-in shower mixer A7188U8

- 38 mm ceramic cartridge FirmaFlow® with hot water limiter
- Metal handle with red and blue indicator
- Check valve
- Standard S-connections
- Perlator aerator
- Ceramic manual diverter
- Finish: technology electroplating
- Colour: Chrome

- 38 mm ceramic cartridge FirmaFlow® with hot water limiter
- Metal handle with red and blue indicator
- Check valve
- Standard S-connections
- Perlator aerator
- Ceramic manual diverter
- Finish: technology powder coating
- Colour: Grey/Chrome

- Kit 1 + Kit 2 version (complete set)
- 47 mm Click cartridge
- Metal handle with red and blue indicator
- Chrome plated plastic escutcheon
- Finish: technology electroplating
- Colour: Chrome

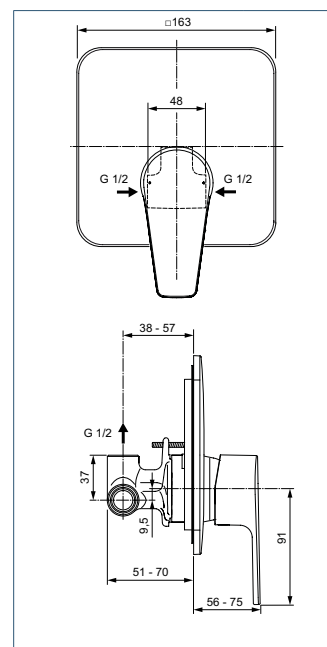
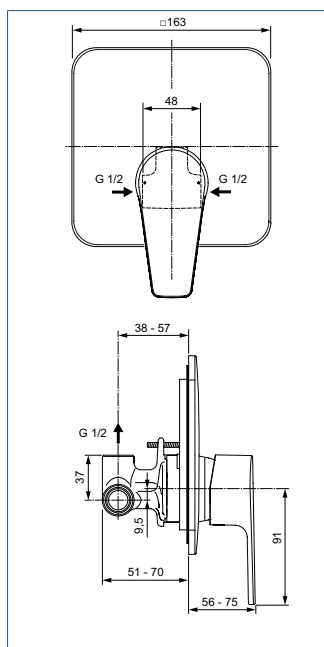
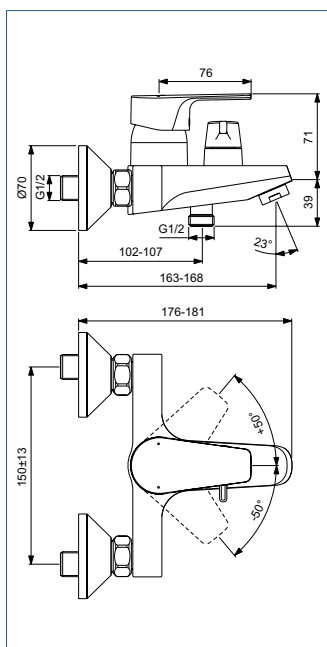
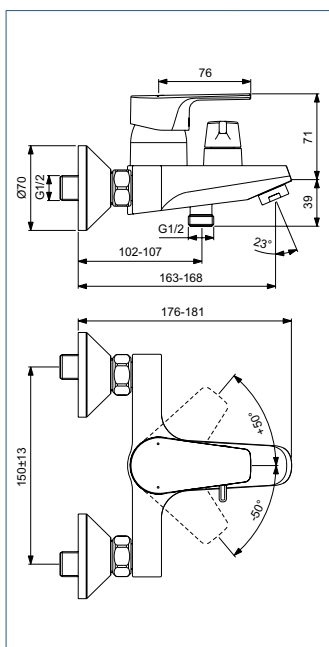
- Kit 1 + Kit 2 version (complete set)
- 47 mm Click cartridge
- Metal handle with red and blue indicator
- Metal escutcheon
- Finish: technology powder coating
- Colour: Grey/Chrome

Comply with EN817

Comply with EN817

Comply with EN817

Comply with EN817



CERAFINE D

TECHNICAL SPECIFICATIONS

Built-in bath & shower mixer



Model Ref. No.

Built-in bath & shower mixer A7189AA

- Kit 1 + Kit 2 version (complete set)
- 47 mm Click cartridge
- Automatic diverter
- Metal handle with red and blue indicator
- Chrome plated plastic escutcheon
- Finish: technology electroplating
- Colour: Chrome

Comply with EN817

Built-in bath & shower mixer



Model Ref. No.

Built-in bath & shower mixer A7189U8

- Kit 1 + Kit 2 version (complete set)
- 47 mm Click cartridge
- Automatic diverter
- Metal handle with red and blue indicator
- Metal escutcheon
- Finish: technology powder coating
- Colour: Grey/Chrome

Comply with EN817

Built-in shower mixer



Model Ref. No.

Built-in shower mixer A7347AA

- Kit 2 version (visible parts)
- 47 mm Click cartridge
- Metal handle with red and blue indicator
- Chrome plated plastic escutcheon
- To be used only in combination with: A1000NU Kit 1 (internal part)
- Finish: technology electroplating
- Colour: Chrome

Comply with EN817

Built-in bath & shower mixer

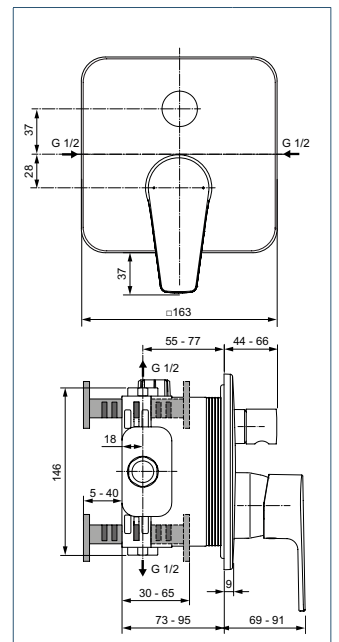
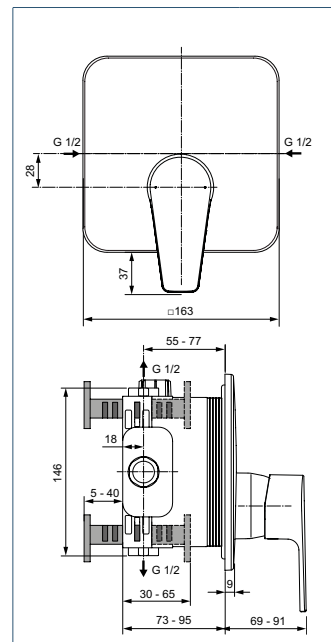
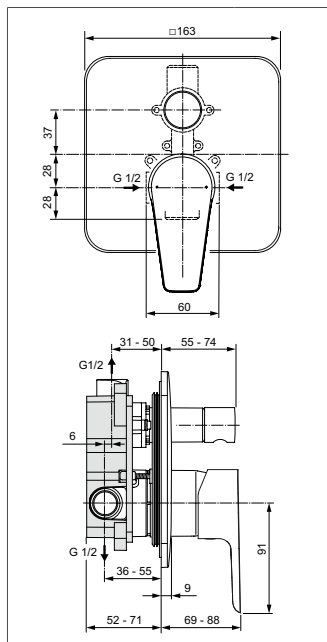
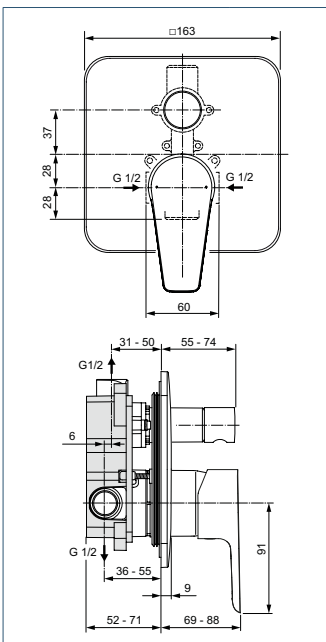


Model Ref. No.

Built-in bath & shower mixer A7348AA

- Kit 2 version (visible parts)
- 47 mm Click cartridge
- Automatic diverter
- Metal handle with red and blue indicator
- Chrome plated plastic escutcheon
- To be used only in combination with: A1000NU Kit 1 (internal part)
- Finish: technology electroplating
- Colour: Chrome

Comply with EN817





Cerafine D
Basin Mixer
BC686AA



Cerafine D
Exposed Bath
& Shower Mixer
BC693AA

Handspray Set
B9451AA

IdealFlex Hose
A4109AA



Ideal Standard

Ideal Standard-Vidima AD

53 Marin Popov Street
5400 Sevlievo, Bulgaria
Tel: +359 675 30362
office@idealstandard.com

Representative office, Riga

A. Briana str. 9a,
Riga, LV- 1001, Latvia
Tel: +371 673 57 792
Fax: +371 673 57 795
VDorogoi@IdealStandard.com

Representative Office, Bucharest

Cotroceni Business Center
Bd. Iuliu Maniu, nr 7, corp T,
Floor 2, office A1, Sector 6
061072 Bucharest, Romania
Tel/Fax: +40 21 322 3201
Tel/Fax: +40 21 322 3202
OfficeBucharest@idealstandard.com

Representative office, Belgrade

Drinčićeva no.19, apartment no.8
11000 Belgrade, Serbia
Tel/Fax: +381 11 7138 058
Tel/Fax: +381 11 7138 059
OBelgrade@IdealStandard.com

Representative Office, Budapest

IS-Hun Kft
1094 Budapest
Viola u 16-18
Tel: +36 30 6991 594
ZGarai@idealstandard.com

**Contact for Albania, Kosovo
and Bosnia & Herzegovina**

Tel: +359 887 709 696
IMichev@idealstandard.com

Contact for Croatia

Tel: +38591 22 99 304
HPavicic@idealstandard.com

Contact for Slovenia

Tel: +39 040 2158058
info@liaison.it