

CERAPLAN III ELEGANCE REDEFINED



Ideal Standard

PART OF THE IDEAL STANDARD GROUP

CERAPLAN III – ELEGANCE REDEFINED

Our bestseller in a new form

From the very beginning the Ceraplan III family writes an uninterrupted success story.

We want to add another chapter to this story and we have therefore expanded the collection with particularly slim washbasin mixers. This was made possible by the use of the new 38 mm FirmaFlow® cartridge, the current top model of our development.



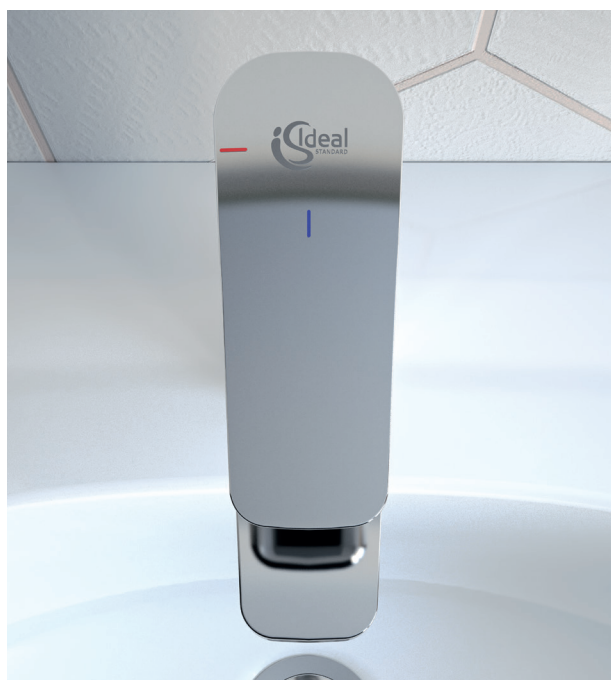
The elegant fitting's body fits in perfectly with the current ceramic ranges.

Also new in the range is the vessel fitting with extended body, which allows beautiful combinations with countertop washbasins.

The BlueStart® washbasin mixers have a 5 l water debit regulator and thus help save drinking water.

And so continues the success story of Ceraplan III ...





With the introduction of the ceramic cartridge in 1969, Ideal Standard set a milestone in the industry- a style-defining invention for future fittings' generations.

The new 38mm FirmaFlow® cartridge is the current top-of-the-range model that convinces with its smooth movement, robust design and exceptional durability.

CERAPLAN III

TECHNICAL SPECIFICATIONS

Basin mixer H70,
metal pop-up waste



Basin mixer H70 with
chain



Basin mixer H70



Basin mixer H70
BlueStart®, metal
pop-up waste, 5 l/min



Model Ref. No.

Basin mixer H70 BC559AA

Model Ref. No.

Basin mixer H70 with
chain BC564AA

Model Ref. No.

Basin mixer H70 BC563AA

Model Ref. No.

Basin mixer H70
BlueStart® BC566AA

- 38 mm cartridge FirmaFlow® with hot water limiter
- Metal handle with red and blue indicator
- Flexible hoses G3/8" for water supply system connection
- Easy-Fix system for installation
- Perlator aerator
- Metal pop-up waste

Comply with EN817

- 38 mm cartridge FirmaFlow® with hot water limiter
- Metal handle with red and blue indicator
- Flexible hoses G3/8" for water supply system connection
- Easy-Fix system for installation
- Perlator aerator
- Metal chain

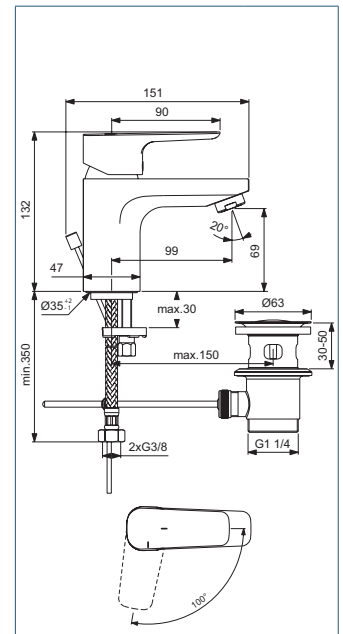
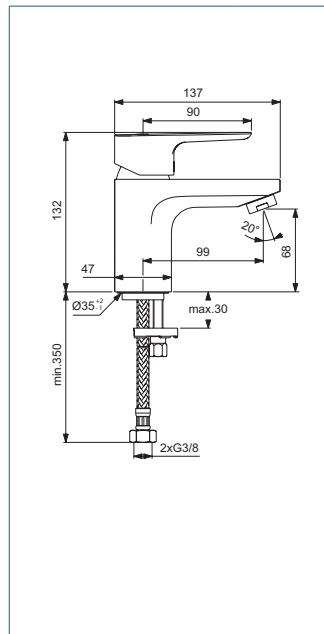
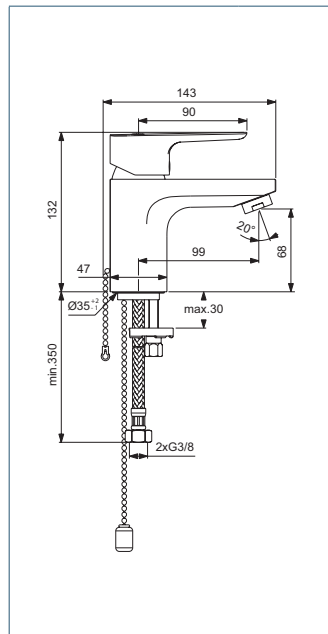
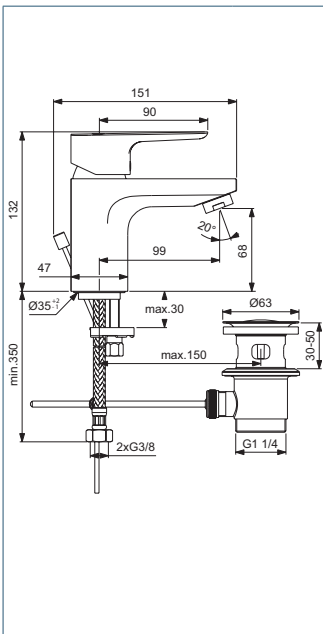
Comply with EN817

- 38 mm cartridge FirmaFlow® with hot water limiter
- Metal handle with red and blue indicator
- Flexible hoses G3/8" for water supply system connection
- Easy-Fix system for installation
- Perlator aerator

Comply with EN817

- 38 mm cartridge FirmaFlow® with hot water limiter
- BlueStart® technology
- Metal handle with red and blue indicator
- Flexible hoses G3/8" for water supply system connection
- Easy-Fix system for installation
- Perlator aerator with 5 l/min flow rate limiter
- Metal pop-up waste

Comply with EN817



Basin mixer H70
BlueStart®, plastic
pop-up waste

Basin mixer H70
BlueStart®, 5 l/ min

Basin mixer H90,
metal pop-up waste

Basin mixer H90 with
chain



Model Ref. No.

Model Ref. No.

Model Ref. No.

Model Ref. No.

Basin mixer H70
BlueStart® BC578AA

Basin mixer H70
BlueStart® BC565AA

Basin mixer H90 BC560AA

Basin mixer H90 with
chain BC568AA

- 38 mm cartridge FirmaFlow® with hot water limiter
- BlueStart® technology
- Metal handle with red and blue indicator
- Flexible hoses G3/8" for water supply system connection
- Easy-Fix system for installation
- Perlator aerator
- Plastic pop-up waste

- 38 mm cartridge FirmaFlow® with hot water limiter
- BlueStart® technology
- Metal handle with red and blue indicator
- Flexible hoses G3/8" for water supply system connection
- Easy-Fix system for installation
- Perlator aerator with 5 l/min flow rate limiter

- 38 mm cartridge FirmaFlow® with hot water limiter
- Metal handle with red and blue indicator
- Flexible hoses G3/8" for water supply system connection
- Easy-Fix system for installation
- Perlator aerator
- Metal pop-up waste

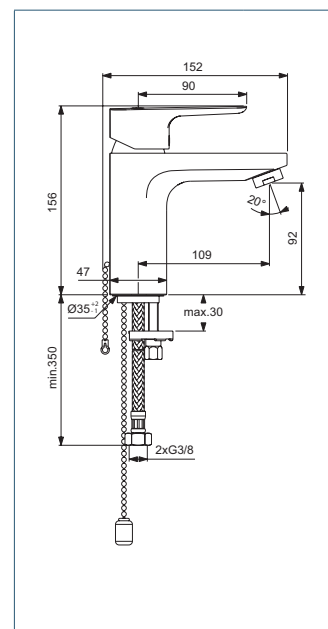
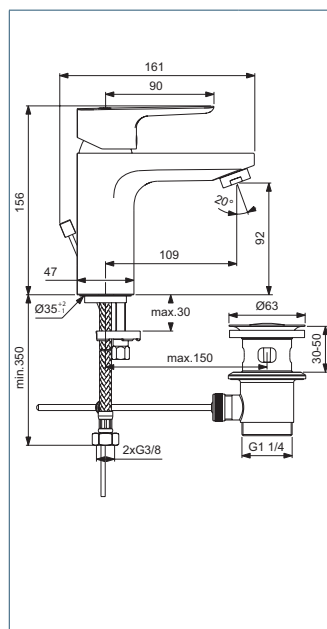
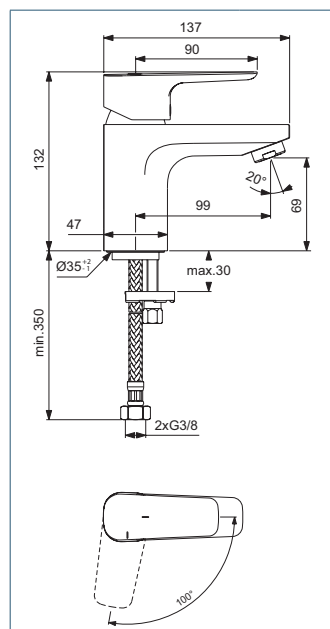
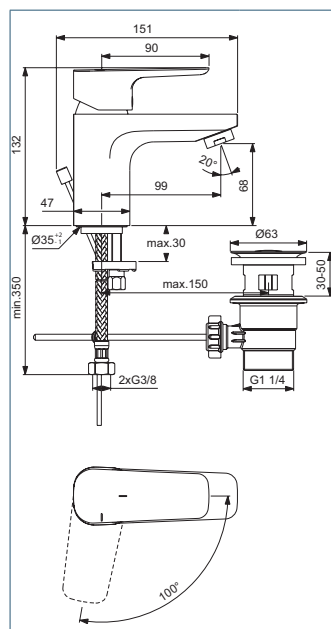
- 38 mm cartridge FirmaFlow® with hot water limiter
- Metal handle with red and blue indicator
- Flexible hoses G3/8" for water supply system connection
- Easy-Fix system for installation
- Perlator aerator
- Metal chain

Comply with EN817

Comply with EN817

Comply with EN817

Comply with EN817



CERAPLAN III

TECHNICAL SPECIFICATIONS

Basin mixer H90



Basin mixer H90
BlueStart®, metal pop-up
waste, 5 l/min



Basin mixer H90
BlueStart®, 5 l/ min



Basin mixer, metal
pop-up waste, 5 l/min



Model Ref. No.

Basin mixer H90 BC567AA

Model Ref. No.

Basin mixer H90
BlueStart® BC570AA

Model Ref. No.

Basin mixer H90
BlueStart® BC569AA

Model Ref. No.

Basin mixer B0772AA

- 38 mm cartridge FirmaFlow® with hot water limiter
- Metal handle with red and blue indicator
- Flexible hoses G3/8" for water supply system connection
- Easy-Fix system for installation
- Perlator aerator

Comply with EN817

- 38 mm cartridge FirmaFlow® with hot water limiter
- BlueStart® technology
- Metal handle with red and blue indicator
- Flexible hoses G3/8" for water supply system connection
- Easy-Fix system for installation
- Perlator aerator with 5 l/min flow rate limiter
- Metal pop-up waste

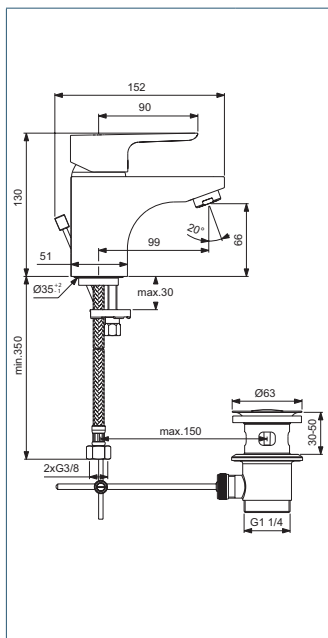
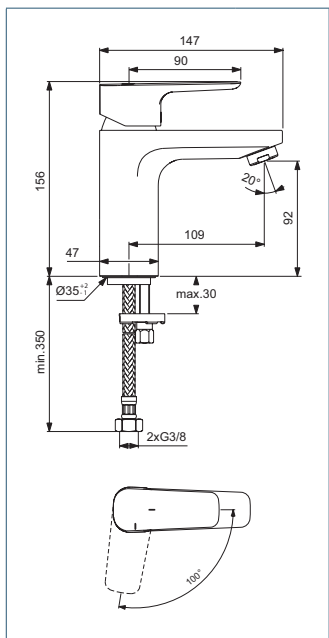
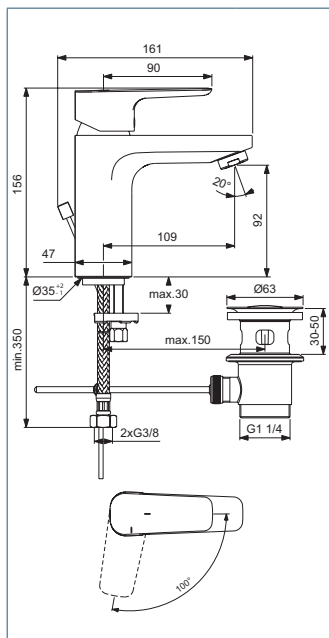
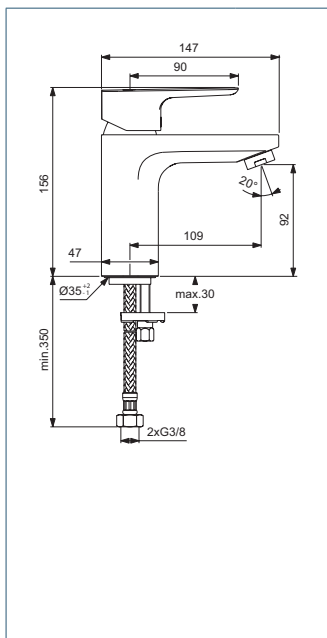
Comply with EN817

- 38 mm cartridge FirmaFlow® with hot water limiter
- BlueStart® technology
- Metal handle with red and blue indicator
- Flexible hoses G3/8" for water supply system connection
- Easy-Fix system for installation
- Perlator aerator with 5 l/min flow rate limiter

Comply with EN817

- 38 mm cartridge FirmaFlow® with hot water limiter
- Brass cast body
- Metal handle with red and blue indicator
- Flexible hoses G3/8" for water supply system connection
- Easy-Fix system for installation
- Perlator aerator with 5 l/min flow rate limiter
- Metal pop-up waste

Comply with EN817



Basin mixer Grande,
metal pop-up waste,
5 l/min

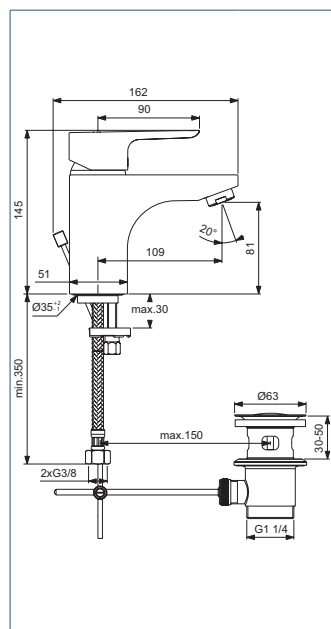


Model Ref. No.

Basin mixer Grande B0773AA

- 38 mm cartridge FirmaFlow® with hot water limiter
- Brass cast body
- Metal handle with red and blue indicator
- Flexible hoses G3/8" for water supply system connection
- Easy-Fix system for installation
- Perlator aerator with 5 l/min flow rate limiter
- Metal pop-up waste

Comply with EN817



Basin mixer with medical
handle

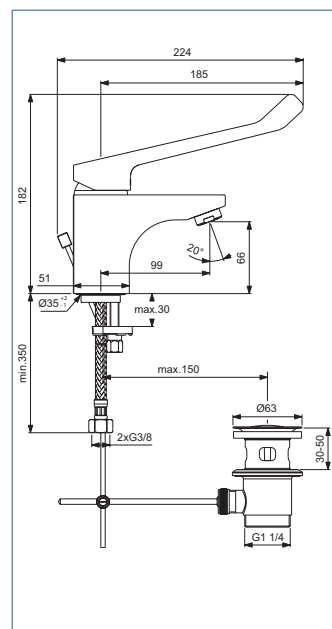


Model Ref. No.

Basin mixer with medical handle B1135AA

- 38 mm cartridge FirmaFlow® with hot water limiter
- Metal handle with red and blue indicator
- Flexible hoses G3/8" for water supply system connection
- Easy-Fix system for installation
- Perlator aerator with 5 l/min flow rate limiter
- Metal pop-up waste

Comply with EN817



Basin mixer Grande with
hygienic hand shower

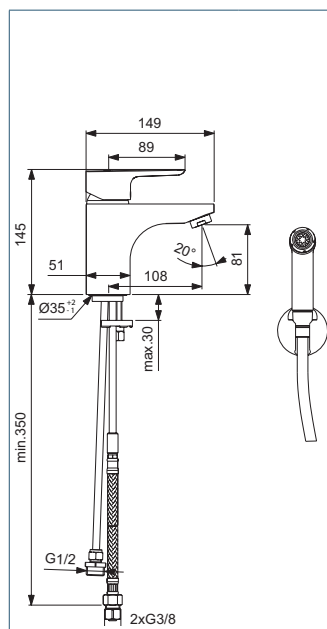


Model Ref. No.

Basin mixer Grande with hygienic hand shower B0919AA

- 38 mm cartridge FirmaFlow® with hot water limiter, with Click technology
- Brass cast body
- Metal handle with red and blue indicator
- Flexible hoses G3/8" for water supply system connection
- Easy-Fix system for installation
- Cascade aerator
- Hand shower with on-off button, flexible hose 1800 mm, wall bracket
- Check valve

Comply with EN817, EN1717



High spout basin mixer
with metal pop-up waste

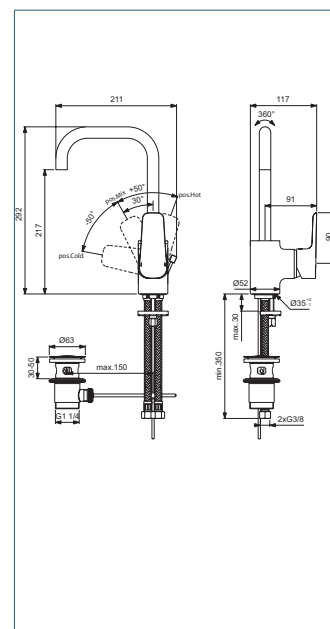


Model Ref. No.

High spout basin mixer B0706AA

- 38 mm cartridge FirmaFlow® with hot water limiter, with Click technology
- Brass cast body
- Tubular spout "U" shape
- Metal handle with red and blue indicator
- Flexible hoses G3/8" for water supply system connection
- Easy-Fix system for installation
- Cache aerator
- Metal pop-up waste

Comply with EN817



Basin mixer H250
BlueStart®, 5 l/min



Bidet mixer with metal
pop-up waste



Exposed shower mixer



Exposed shower mixer
with accessories



Model Ref. No.
Basin mixer H250 BC571AA
BlueStart®

- 38 mm cartridge FirmaFlow® with hot water limiter
- 1 piece casted body
- BlueStart® technology
- Metal handle with red and blue indicator
- Flexible hoses G3/8" for water supply system connection
- Easy-Fix system for installation
- Perlator aerator with 5 l/min flow rate limiter

Comply with EN817

Model Ref. No.
Bidet mixer BC626AA

- 38 mm cartridge FirmaFlow® with hot water limiter, with Click technology
- Temperature limit stop (preset option available)
- Brass cast body
- Metal handle with red and blue indicator
- Flexible hoses G3/8" for water supply system connection
- Easy-Fix system for installation
- Aerator Ball Joint
- Metal pop-up waste

Comply with EN817

Model Ref. No.
Exposed shower mixer B0716AA

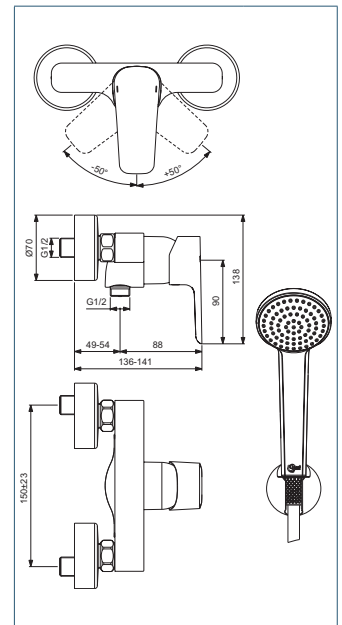
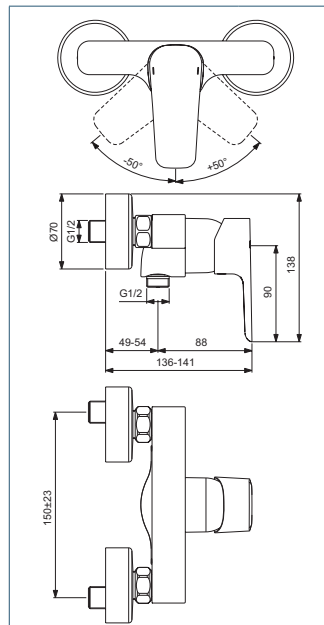
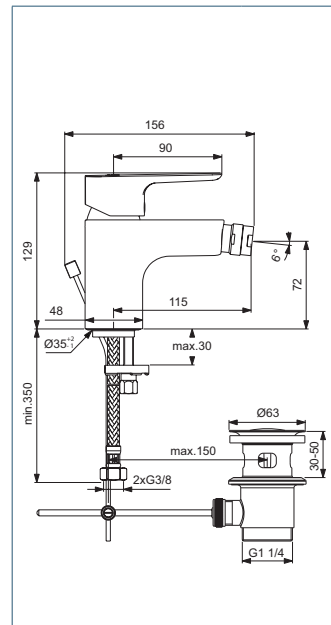
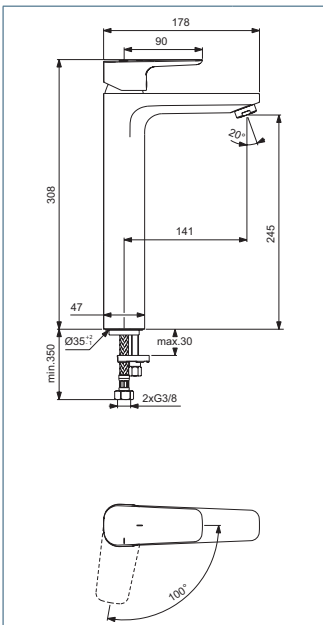
- 38 mm cartridge FirmaFlow® with hot water limiter, with Click technology
- Brass cast body
- Metal handle with red and blue indicator
- Plastic escutcheons on S-Connection
- Check valve

Comply with EN817

Model Ref. No.
Exposed shower mixer with accessories B0717AA

- 38 mm cartridge FirmaFlow® with hot water limiter, with Click technology
- Brass cast body
- Metal handle with red and blue indicator
- Plastic escutcheons on S-Connection
- Check valve
- Accessories: Hand shower Idealrain 1F, 1500 mm shower hose, fixed wall bracket

Comply with EN817



CERAPLAN III

TECHNICAL SPECIFICATIONS

Exposed bath & shower mixer



Model Exposed bath & shower mixer
Ref. No. B0718AA

- 38 mm cartridge FirmaFlow® with hot water limiter, with Click technology
- Brass cast body
- Metal handle with red and blue indicator
- S-connectors with Noise reducers
- Perlator aerator
- Check valve
- Automatic diverter

Comply with EN817

Exposed bath & shower mixer with accessories



Model Exposed bath & shower mixer with accessories
Ref. No. B0719AA

- 38 mm cartridge FirmaFlow® with hot water limiter, with Click technology
- Brass cast body
- Metal handle with red and blue indicator
- S-connectors with Noise reducers
- Perlator aerator
- Check valve
- Automatic diverter
- Accessories: Hand shower Idealrain 1F, 1500 mm shower hose, fixed wall bracket

Comply with EN817

Bath & shower mixer RIM mounted



Model Bath & shower mixer RIM mounted
Ref. No. B0769AA

- IS 47 mm ceramic cartridge with Click technology
- Temperature limiter – integrated in the cartridge
- Brass cast body
- Metal handle with red and blue indicator
- Flexible hoses EPDM G3/8" for water supply system connection
- Easy-Fix system for installation
- Perlator aerator
- Automatic diverter

Comply with EN817

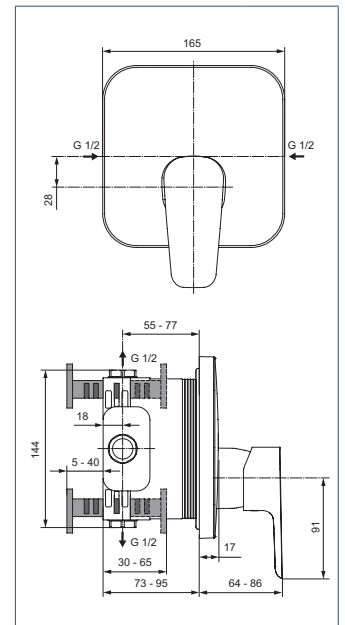
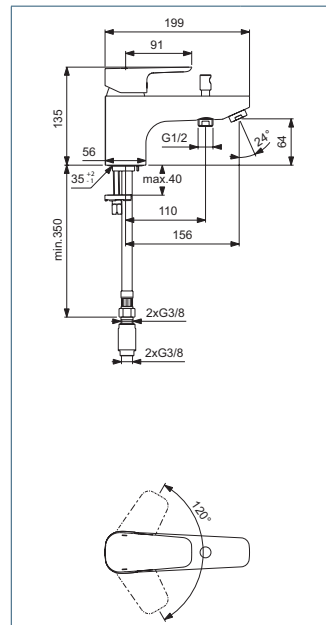
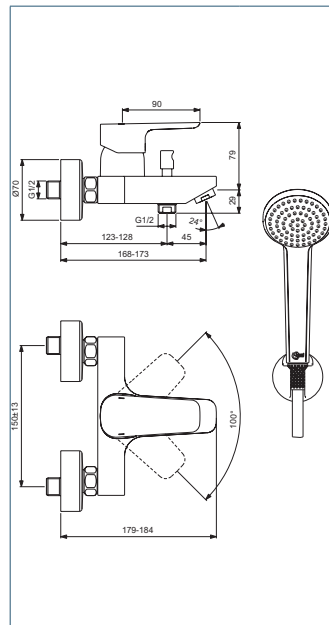
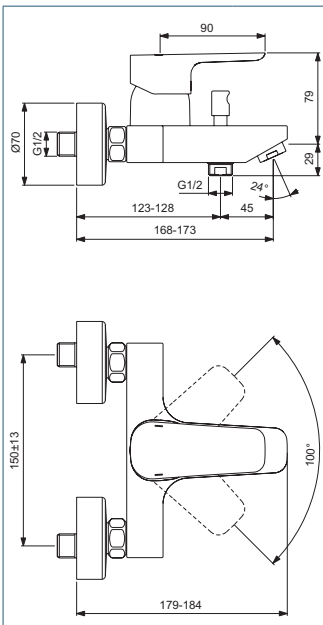
Built-in shower mixer



Model Basin mixer H250
Ref. No. A6114AA

- Kit 2 version (visible parts)
- 47 mm IS Click Cartridge
- Temperature limiter – integrated in the cartridge
- Plastic escutcheon
- Metal handle with red and blue indicator
- To be used only in combination with: EASY-BOX A1000NU Kit 1 (internal part)

Comply with EN817



Built-in bath & shower mixer



Model Ref. No.

Built-in bath & shower mixer A6115AA

- Kit 2 version (visible parts)
- 47 mm IS Click Cartridge
- Temperature limiter – integrated in the cartridge
- Plastic escutcheon
- Metal handle with red and blue indicator
- Automatic diverter
- To be used only in combination with: EASY-BOX A1000NU Kit 1 (internal part)

Comply with EN817

Built-in shower mixer



Model Ref. No.

Built-in shower mixer A6382AA

- Kit 1 + Kit 2 version (complete set)
- 47 mm IS Click Cartridge
- Temperature limiter – integrated in the cartridge
- Plastic escutcheon
- Metal handle with red and blue indicator

Comply with EN817

Built-in bath & shower mixer

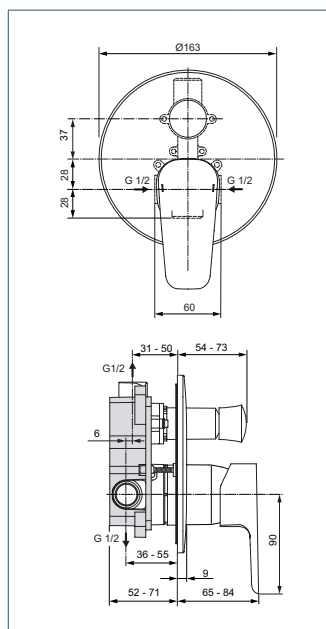
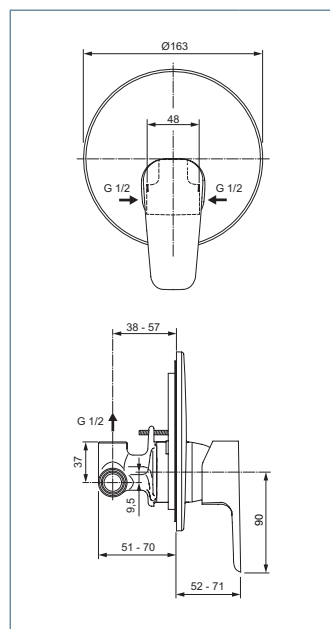
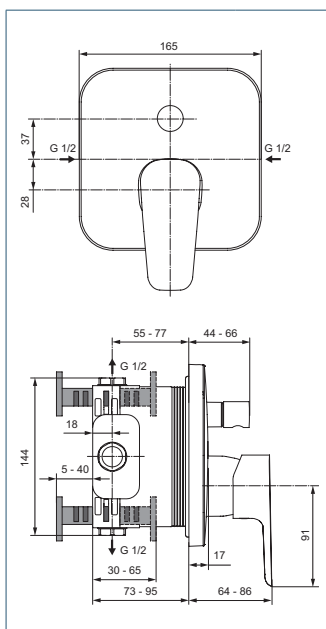


Model Ref. No.

Built-in bath & shower mixer A6383AA

- Kit 1 + Kit 2 version (complete set)
- 47 mm IS Click Cartridge
- Temperature limiter – integrated in the cartridge
- Plastic escutcheon
- Metal handle with red and blue indicator
- Automatic diverter

Comply with EN817





Ideal Standard

Ideal Standard-Vidima AD

53 Marin Popov Street
5400 Sevlievo, Bulgaria
Tel: +359 675 30362
office@idealstandard.com

Representative office, Riga

A. Briana str. 9a,
Riga, LV- 1001, Latvia
Tel: +371 673 57 792
Fax: +371 673 57 795
VDorogoi@IdealStandard.com

Representative Office, Bucharest

Cotroceni Business Center
Bd. Iuliu Maniu, nr 7, corp T,
Floor 2, office A1, Sector 6
061072 Bucharest, Romania
Tel/Fax: +40 21 322 3201
Tel/Fax: +40 21 322 3202
OfficeBucharest@idealstandard.com

Representative office, Belgrade

Drinčićeva no.19, apartment no.8
11000 Belgrade, Serbia
Tel/Fax: +381 11 7138 058
Tel/Fax: +381 11 7138 059
OBelgrade@IdealStandard.com

Representative Office, Budapest

IS-Hun Kft
1221 Budapest, Hungary
Aranyfácán u 20
Tel: +36 30 6991 594
ZGarai@idealstandard.com

**Contact for Albania, Kosovo
and Bosnia & Herzegovina**

Tel: +359 887 709 696
IMichev@idealstandard.com

Contact for Croatia

Tel: +38591 22 99 304
HPavicic@idealstandard.com

Contact for Slovenia

Tel: +39 040 2158058
info@liaison.it