

KEUCO

BATHROOM FURNISHINGS

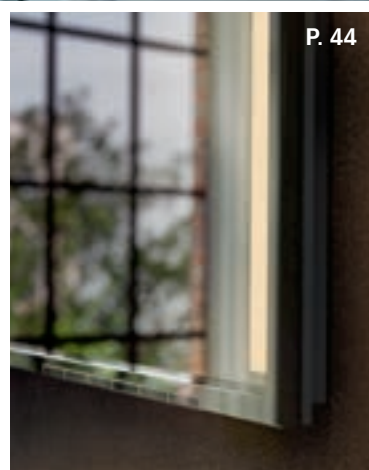
# EDITION 90



# The freedom of pure form

Circle meets square: EDITION 90 merges the circle with the square. The square is the design element that gives EDITION 90 SQUARE its character. The distinctive 90 degree angle design motif is applied consistently in all the bathroom furnishings. Developed by the Tesseraux + Partner design agency in Potsdam, uniquely luxurious bathroom settings are created for different styles of living.

<b>FITTINGS</b>	<b>Page 6</b>
<b>ACCESSORIES</b>	<b>Page 18</b>
<b>BATHROOM FURNITURE</b>	<b>Page 30</b>
<b>WASHBASINS</b>	<b>Page 38</b>
<b>LIGHT MIRRORS</b>	<b>Page 44</b>



## KEUCO EDITION 90

Experience the different models and finishes

[www.keuco.com/gb/products/bathroom\\_furnishings/edition\\_90/](http://www.keuco.com/gb/products/bathroom_furnishings/edition_90/)





# Design statement in the bathroom

The design of KEUCO's EDITION 90 and EDITION 90 SQUARE fittings employs a vocabulary that is clear and consistent. The visual statement of the design is consistently "square on round". Exact 90 degree angles, rectilinear contours and excellent chrome surfaces are its distinguishing design and quality features.





EDITION 90  
WASHBASIN MIXER



The single-lever mixer for the washbasin, the wall mounted spouts in three lengths, and the three-hole basin mixer are defined by precise contours and brilliant chrome finishes. Looking like a monolith that seems forged from a single piece, an unmistakable character of utmost exclusiveness takes centre stage.





EDITION 90 SQUARE  
**WASHBASIN MIXER**



EDITION 90 SQUARE fittings are set apart by their clear and striking profile and square rosette. Without compromise they integrate into the EDITION 90 bathroom furnishing concept from KEUCO, with a linearity that is fully in harmony with the bathroom furniture, washbasins, and light mirrors. For a minimalist style of living with a preference for architectural, square elements.







Sensuous showering pleasure is guaranteed by the large, round shower head with uniform rain pattern. A clever detail sensibly simplifies the installation: Thanks to a flexible joint, the shower head arm can be finitely adjusted to achieve a truly horizontal position.



EDITION 90

## BATH TUB MIXER

The elegant free-standing bath mixer is an eye-catcher for free-standing bath tubs. Hidden within its exclusive body, a technical refinement can be found: The functionality for switching from tub spout to hand shower is integrated in the fitting, so it can be conveniently switched with a simple motion of the hand. In vertical position the fitting lever is set to "off". In the back position it fills the bath tub. The further the lever is moved back, the hotter the water gets. Moving the lever to the front shifts control to the hand-held shower. Here the temperature and amount of water are controlled the same as with a conventional single-lever mixer.











# Set accents with accessories

Stylish accessories – the everyday heroes. Clever functionality clothed in opulent style or a filigree design turns every bathroom into living space of stylish perfection. Discover the numerous EDITION 90 and EDITION 90 SQUARE accessories.





1



2



3



4



5



6

The consistent and distinctively designed motif of the chrome-plated accessories is the square on the round wall elements. KEUCO stands for stylish accessories which also have a reputation for being genuine everyday heroes. Many EDITION 90 accessories are optionally available with an adhesive fastener, so drilling is unnecessary.

- 1 Towel hook
- 2 Lotion dispenser
- 3 Towel hook, double
- 4 Tumbler holder
- 5 Towel holder
- 6 Soap dish







Extraordinary design for ordinary day-to-day items: The toilet brush set presents itself from top to bottom in lustrous chrome. Things like a cell phone or similar can be conveniently placed on the shelf space of the toilet paper holder.

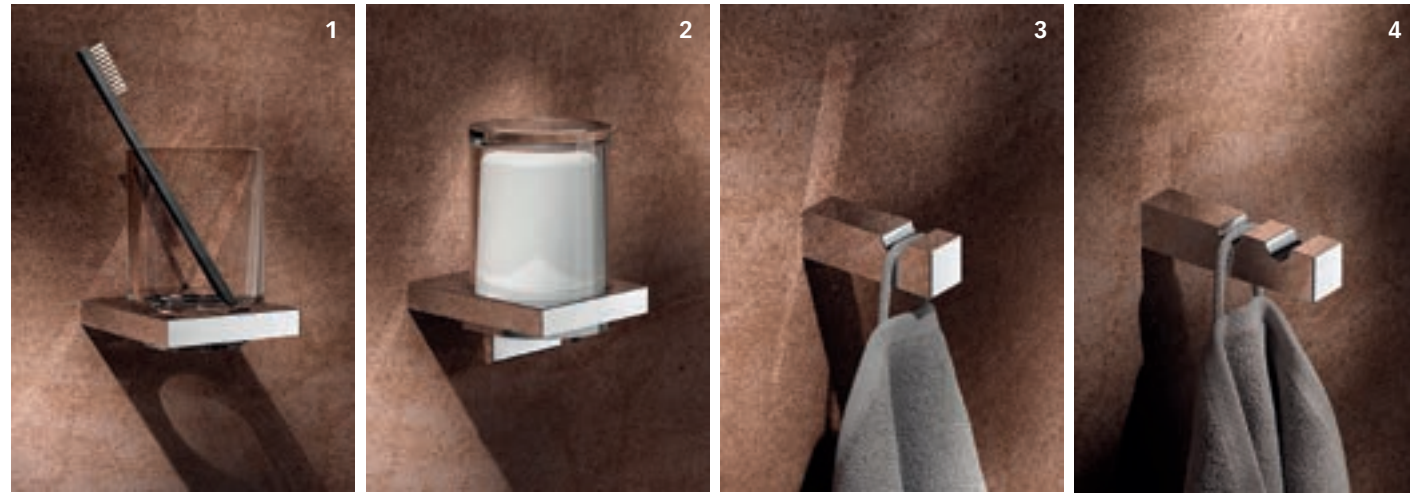
- 1 Towel rail
- 2 Shower shelf
- 3 Toilet paper holder
- 4 Toilet brush set
- 5 Toilet paper holder with glass shelf



**WASHBASIN ACCESSORIES**

Reduction brought to its logical conclusion. This is the basis for the design of EDITION 90 SQUARE accessories from KEUCO. Exact 90 degree angles, rectilinear contours and excellent chrome surfaces are its distinguishing design and quality features. Precise edges and flat surfaces with perfect dimensional accuracy are what make the design of EDITION 90 SQUARE accessories so convincing.

- 1 Tumbler holder
- 2 Lotion dispenser
- 3 Towel hook
- 4 Towel hook, double
- 5 Towel ring
- 6 Towel holder







Despite their strict geometry, EDITION 90 SQUARE accessories add a certain lightness to modern bathroom design through their distinctive design motif. At the same time they offer a maximum in functionality. Sovereignly but discreetly, the beautifully shaped shower shelf holds the magnetic glass wiper within easy grasp.

- 1 Shower shelf
- 2 Toilet paper holder
- 3 Toilet paper holder with glass shelf
- 4 Toilet brush set









# Design-oriented bathroom settings

The uniqueness of EDITION 90: Washbasins and furniture are like soloists that can be shaped into harmonious compositions to reflect your personal taste and preferences. They can be used completely independently of one another, and positioned as desired. EDITION 90 offers enormous freedom for creative design, with the ability to flexibly arrange the solitary pieces to suit your needs.



- 1 Wall-mounted
- 2 On floor with base
- 3 On floor with legs

Solitary furniture with virtually limitless variety and arrangement possibilities: EDITION 90 bathroom furniture is available for wall-mounting, with a base, or with chrome-plated legs. Elegant, genuine wood veneers and textured lacquers with matt or lustre finish radiate elegant comfort and holistic flair in the living space, bathroom. Side units with premium cover plates made of glass or ceramic in marble or slate appearance are perfect as an upgrade, stylishly rounding off the overall assortment.





**BATHROOM FURNITURE**

Numerous possible combinations of washbasins, bathroom furniture and cover plates are available to personalise the bathroom design.



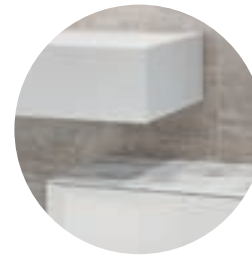
**Washbasin:** White ceramic  
**Furniture:** White textured lacquer  
**Cover plate:** White ceramic marble



**Washbasin:** White ceramic  
**Furniture:** High-gloss white lacquer  
**Cover plate:** White transparent glass



**Washbasin:** White ceramic  
**Furniture:** White textured lacquer  
**Cover plate:** White satin glass



**Washbasin:** White ceramic  
**Furniture:** High-gloss white lacquer  
**Cover plate:** White ceramic marble



**Washbasin:** Slate grey ceramic  
**Furniture:** Slate grey textured lacquer  
**Cover plate:** Anthracite satin glass



**Washbasin:** White ceramic  
**Furniture:** Whitewashed oak veneer



**Washbasin:** Slate grey ceramic  
**Furniture:** Slate grey textured lacquer  
**Cover plate:** Slate ceramic



**Washbasin:** Slate grey ceramic  
**Furniture:** Dark grey oak veneer









# Clear and opulent

The opulent material of freely suspended EDITION 90 ceramic washbasins makes them the centre of focus in the bathroom. For elegant comfort they are available in white or slate grey.





EDITION 90  
**WASHBASIN**

In widths of 800 mm or 1200 mm, they can take centre stage as single or double washbasin in small and large bathrooms.











# Exquisite material

The EDITION 90 light mirror rounds off the bathroom furnishings assortment. With two LED light sources on the sides, it provides perfect shadow-free illumination of the face. Its exquisite quality is underscored by a surrounding chrome frame with integrated illumination of the washbasin.

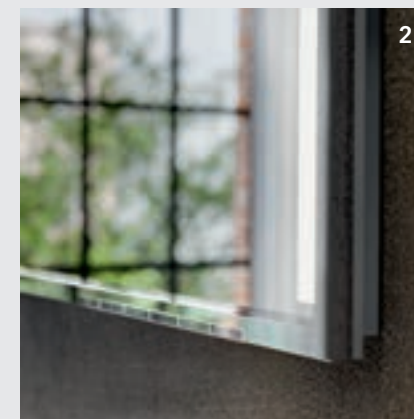




Brightness and colour temperature can be adjusted with the sensor controls: through the control panel the EDITION 90 light mirror's LED lighting can be dimmed and the light colour adjusted in an infinite number of steps: From a 6500 kelvin daylight white light, ideal for daily care, to a 2700 kelvin warm-white light, ideal for the perfect evening makeup or an atmospheric ambience for a bath. The practical mirror heater ensures a mist-free reflection after showering. After twenty minutes the heater shuts itself off automatically.



- 1 Control panel
- 2 Daylight white
- 3 Warm white



**Touch panel functions**



Light colour  
Warm white



Light colour  
Daylight white



Washbasin lighting  
(bottom)



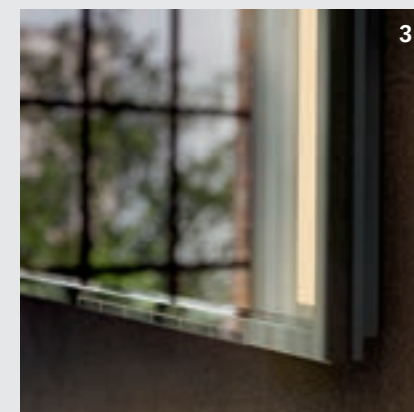
Main lighting  
(On the side)



On / Off



Mirror heater



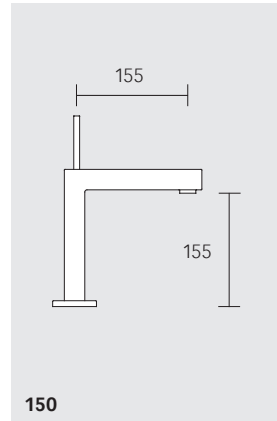






All fittings available in chrome-plated finish.

EDITION 90 WASHBASIN FITTINGS



150

**Single-lever basin mixer**

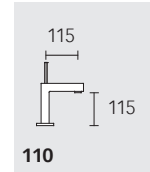
with or without pop-up waste 1 1/4"

- Single hole installation with quick installation system
- Mixing cartridge with ceramic sealing gaskets
- Aerator M 24x1, adjustable stream angle
- Pressure hoses 435 mm, G 3/8 inch
- Flow rate limited to 7.6 l/min

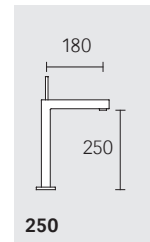
**110 with pop-up waste:** 59004 010000  
**110 without pop-up waste:** 59004 010100

**150 with pop-up waste:** 59002 010000  
**150 without pop-up waste:** 59002 010100

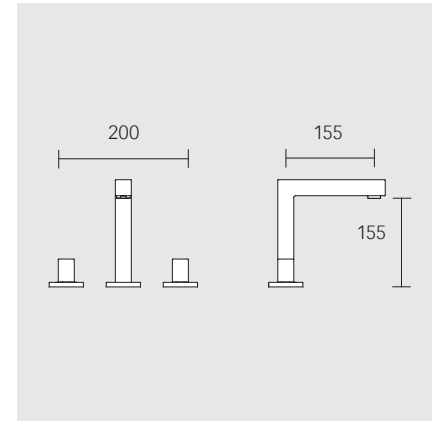
**250 without pop-up waste:** 59002 010103



110



250



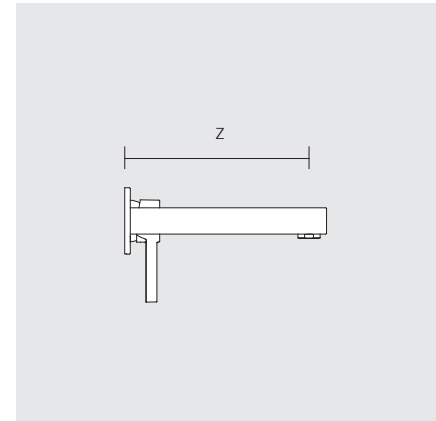
**Three-hole basin mixer 150**

with or without pop-up waste 1 1/4"

- Three hole installation
- Ceramic valves for temperature adjustment and flow control
- Aerator M 24x1, adjustable stream angle
- Pressure hoses 435 mm, G 3/8 inch
- Flow rate limited to 7.6 l/min

**With pop-up waste:** 59015 010000

**Without pop-up waste:** 59015 010100



**Single-lever washbasin mixer, in-wall**

- For in-wall installation, DN 15
- Mixing cartridge with ceramic sealing gaskets and temperature limiter
- Aerator M 24x1, adjustable stream angle
- Flow rate limited to 7.6 l/min

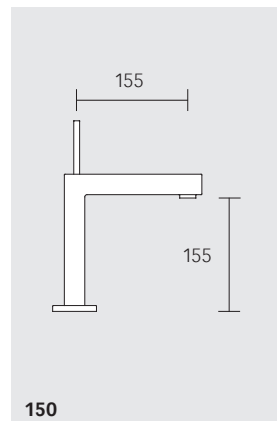
Depth z: 168 / 200 / 246 mm

**168 mm:** 59016 010201

**200 mm:** 59016 010200

**246 mm:** 59016 010202

EDITION 90 SQUARE WASHBASIN AND BIDET FITTINGS



150

**Single-lever basin mixer**

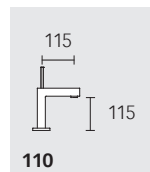
with or without pop-up waste 1 1/4"

- Single hole installation with quick installation system
- Mixing cartridge with ceramic sealing gaskets
- Aerator M 24x1, adjustable stream angle
- Pressure hoses 435 mm, G 3/8 inch,
- Flow rate limited to 7.6 l/min

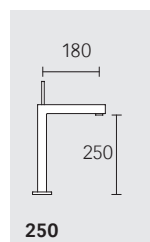
**110 with pop-up waste:** 59104 010000  
**110 without pop-up waste:** 59104 010100

**150 with pop-up waste:** 59102 010000  
**150 without pop-up waste:** 59102 010100

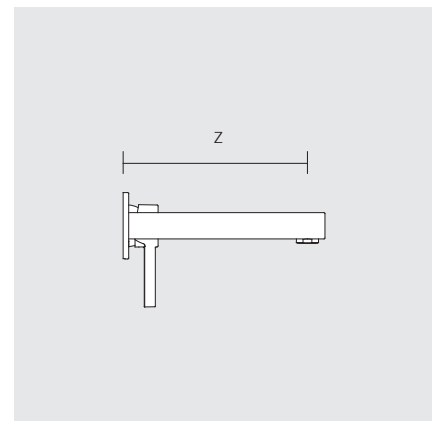
**250 without pop-up waste:** 59102 010103



110



250



**Single-lever basin mixer, in-wall**

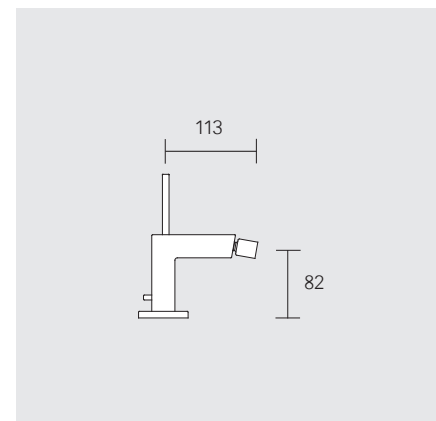
- For in-wall installation, DN 15
- Mixing cartridge with ceramic sealing gaskets and temperature limiter
- Aerator M 24x1, adjustable stream angle
- Flow rate limited to 7.6 l/min

Depth z: 168 / 200 / 246 mm

**168 mm:** 59116 010201

**200 mm:** 59116 010200

**246 mm:** 59116 010202



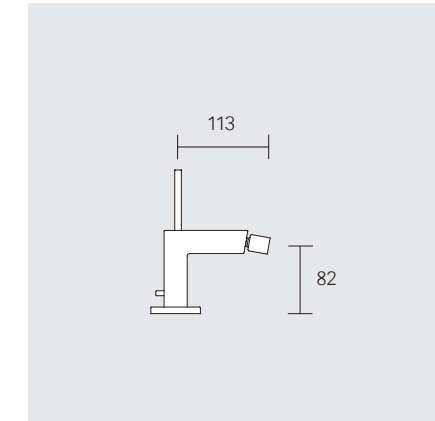
**Single lever bidet mixer**

with pop-up waste 1 1/4"

- Single hole installation with quick installation system
- Mixing cartridge with ceramic sealing gaskets
- Ball joint, aerator cache TJ M 18.5x1
- Pressure hoses 435 mm, G 3/8 inch
- Flow rate limited to 7.6 l/min

59109 010000

EDITION 90 FITTINGS FOR BIDET, BATH TUB AND SHOWER

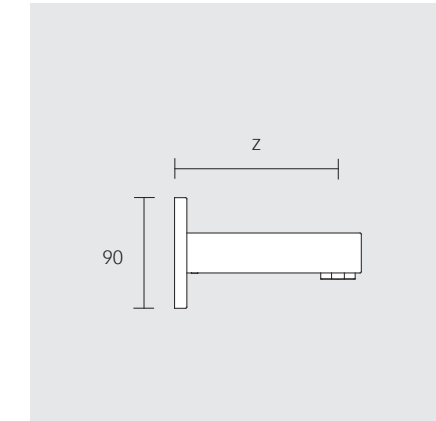


**Single lever bidet mixer**

with pop-up waste 1 1/4"

- Single hole installation with quick installation system
- Mixing cartridge with ceramic sealing gaskets
- Ball joint, aerator cache TJ M 18.5x1
- Pressure hoses 435 mm, G 3/8 inch
- Flow rate limited to 7.6 l/min

59009 010000



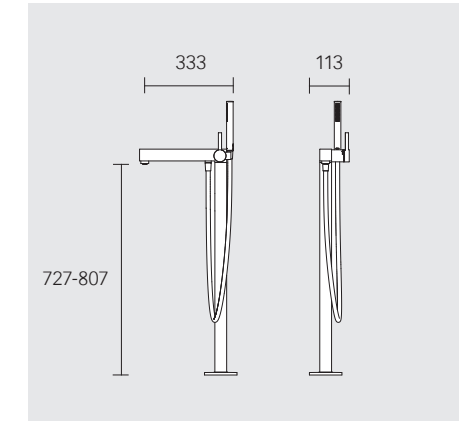
**Bath spout DN 15**

Suitable for in-wall installation unit 59547 000170

Depth z: 133 / 183 mm

**133 mm:** 59045 010000

**183 mm:** 59045 010001



**Single-lever bath tub mixer**

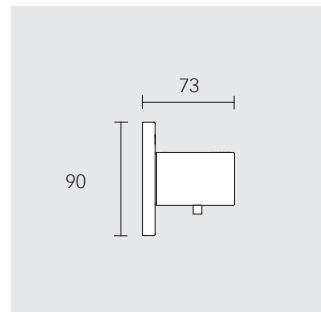
for free-standing installation

- Mixing cartridge with ceramic sealing gaskets
- With aerator
- Complete with hand shower head and shower hose 1250 mm

59027 010100







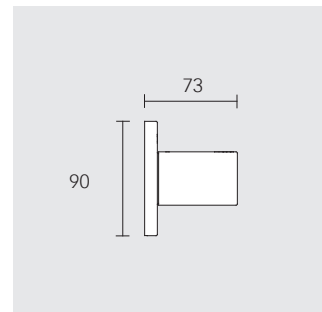
**Thermostatic mixer,  
in-wall DN 15**

Finish set

**Consists of:**

Handle and rosette (round) suitable for in-wall installation unit 59553 000070

59053 010001



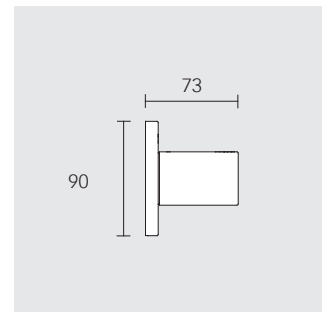
**Stop valve, in-wall  
DN 15**

Finish set

**Consists of:**

Handle, rosette (round) and stop valve suitable for in-wall installation unit 59541 000070

59041 010001



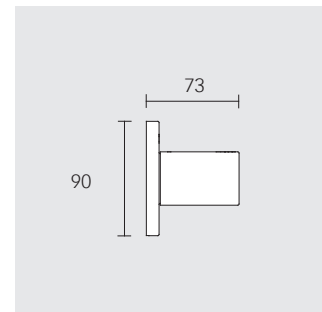
**2-way diverter valve,  
in-wall DN 15**

Finish set

**Consists of:**

Handle, rosette (round) and diverter valve suitable for in-wall installation unit 59556 000070

59056 010001



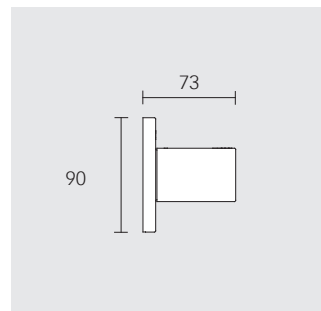
**2-way stop and diverter  
valve in-wall DN 15**

Finish set

**Consists of:**

Handle, rosette (round) and stop and diverter valve suitable for in-wall installation unit 59556 000070

59057 010001



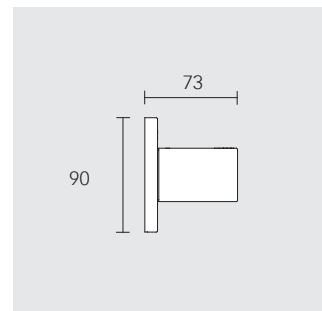
**3-way diverter valve,  
in-wall DN 15**

Finish set

**Consists of:**

Handle, rosette (round) and diverter valve suitable for in-wall installation unit 59548 000070

59048 010001



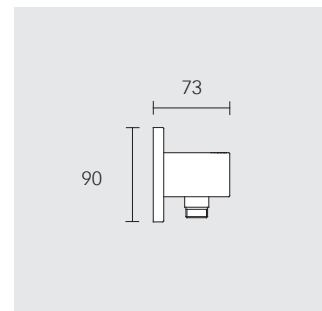
**3-way stop and diverter  
valve in-wall DN 15**

Finish set

**Consists of:**

Handle, rosette (round) and stop and diverter valve suitable for in-wall installation unit 59548 000070

59049 010001

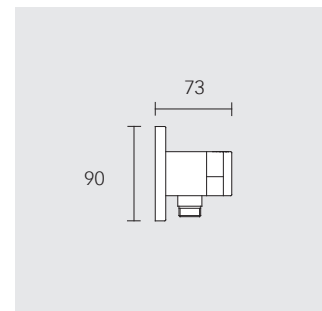


**Wall outlet for shower  
hose DN 15**

Finish set

for shower hoses with conical nuts, intrinsically safe against backflow, according to DIN EN 1717, suitable for in-wall installation unit 59547 000170

59047 010001

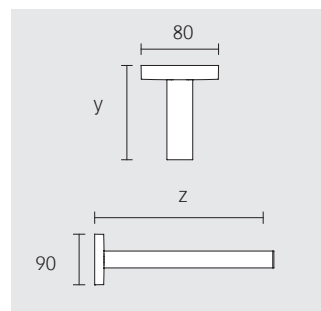


**Wall outlet for shower  
hose with hand shower  
bracket DN 15**

Finish set

for shower hoses with conical nuts, intrinsically safe against backflow, according to DIN EN 1717, suitable for in-wall installation unit 59547 000170

59092 010001



**Arm for shower head DN 15**

- Ceiling or wall union
- With round rosette

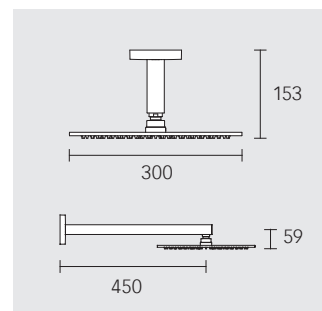
**Depth z:** 319 / 469 mm  
**Height y:** 100 / 300 mm

**Ceiling union**

**100 mm:** 59089 010101  
**300 mm:** 59089 010301

**Wall union**

**300 mm:** 59088 010301  
**450 mm:** 59088 010401



**Shower head**

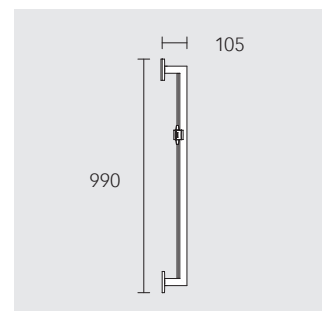
- Ceiling or wall union
- With round rosette
- Flow rate limited to 15 l/min.
- Shower head  $\varnothing$  300 mm, G 1/2 (59986 010301)

**Ceiling union**

59084 010101

**Wall union**

59083 010401

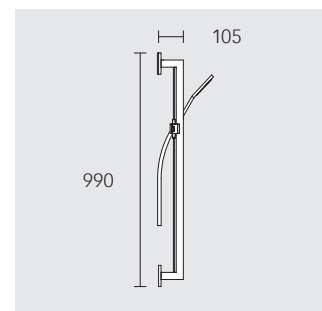


**Hand shower sliding rail**

**Consists of:**

- Rail with sliding bracket for shower head
- Height adjustment with handle
- Tilt angle adjustable
- to any position, optionally usable on right or left
- With tile compensation plate (5 mm)

59085 010901



**Shower set**

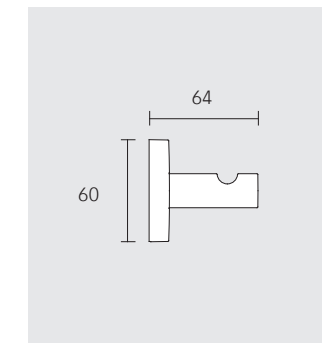
**Consists of:**

- Rail with sliding bracket for shower head
- Height adjustment with handle
- Tilt angle adjustable to any position, optionally usable on right or left
- Tile compensation plate (5 mm)
- Hand shower with normal stream
- Shower hose, 1600 mm

59087 010001

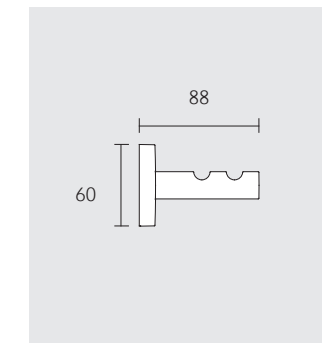


All accessories available in chrome-plated finish.



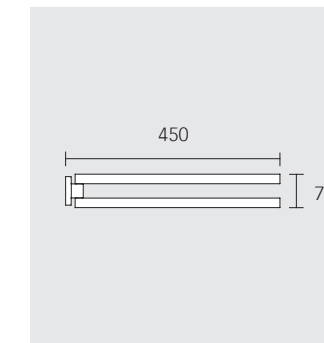
**Towel hook  
single**

19014 010000



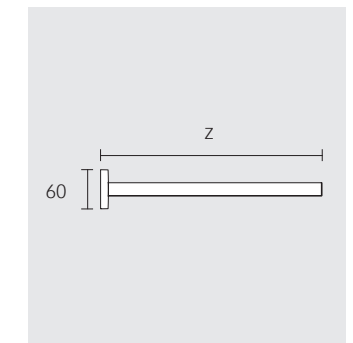
**Towel hook  
double**

19015 010000



**Towel holder  
2-arm, swivelling**

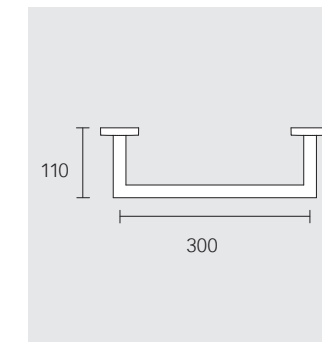
19018 010000



**Towel holder  
1-arm, fixed**

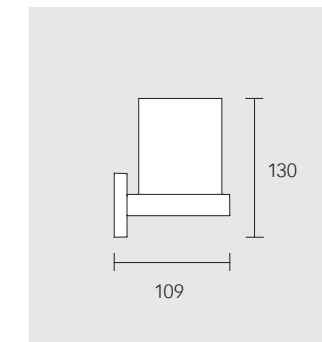
**Depth z:** 340 / 450 mm

**340 mm:** 19022 010000  
**450 mm:** 19020 010000



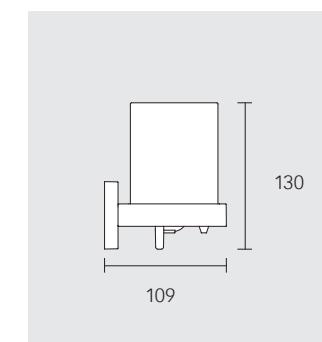
**Towel ring  
fixed**

19021 010000



**Tumbler holder, complete  
with crystal glass tumbler**

19050 019000

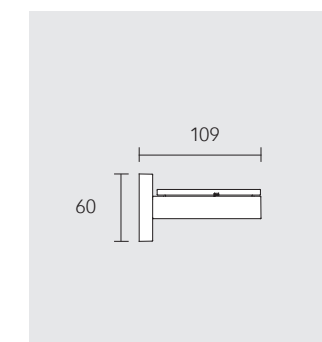


**Lotion dispenser, complete  
with crystal glass**

Matt crystal glass, holder and pump

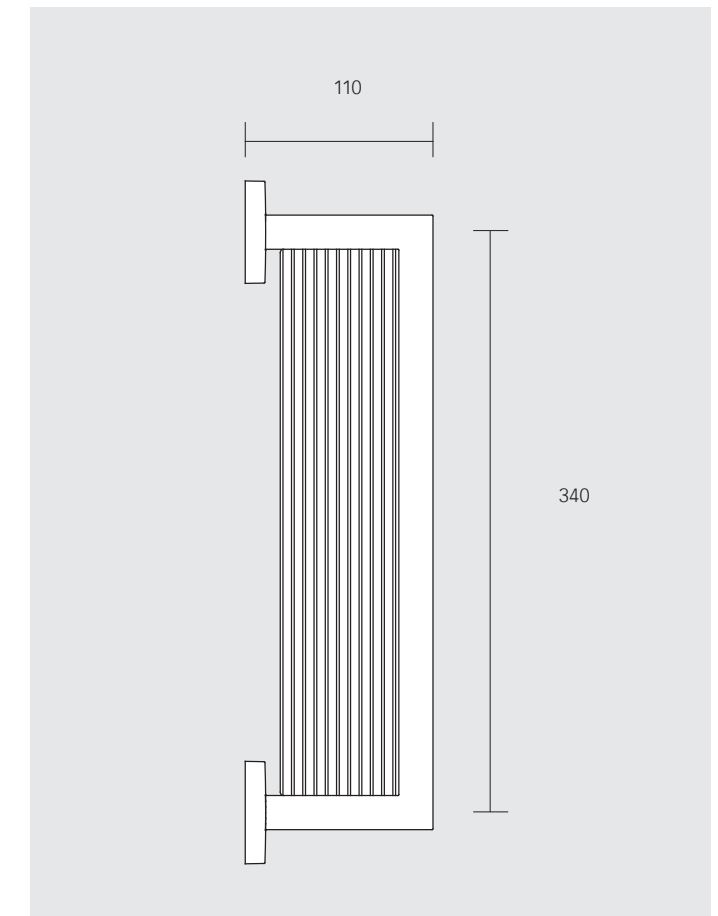
- Filling capacity: approx. 180 ml
- Dosage: approx. 0.5 ml/stroke

19052 019000



**Soap holder, complete  
with crystal soap dish**

19055 019000



**Shower shelf**

- With or without integrated glass wiper
- Magnetic glass squeegee, light grey (RAL 7035)

**With glass wiper:**

19059 010000 chrome-plated/aluminium

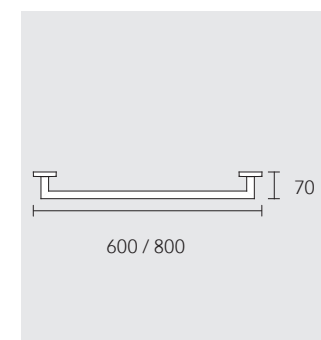
**Without glass wiper:**

19058 010000 chrome-plated/aluminium



## EDITION 90

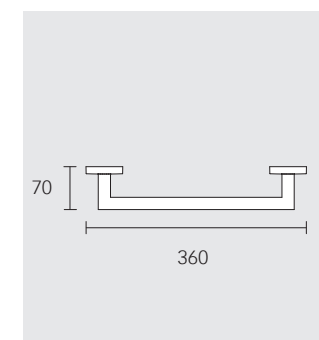
### TECHNICAL SPECIFICATIONS, ACCESSORIES



**Towel rail**

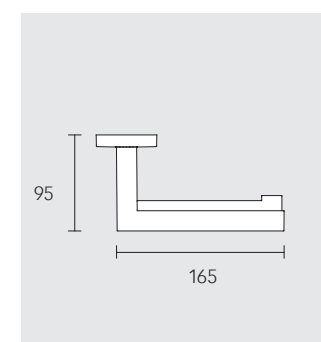
Width x: 600 / 800 mm

**600 mm:** 19001 010600  
**800 mm:** 19001 010800



**Grab bar**

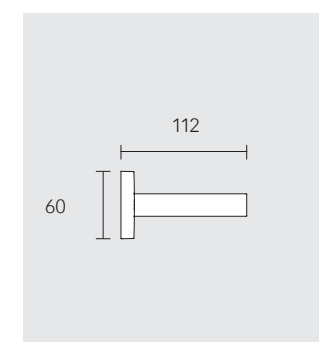
19007 010000



**Toilet paper holder**

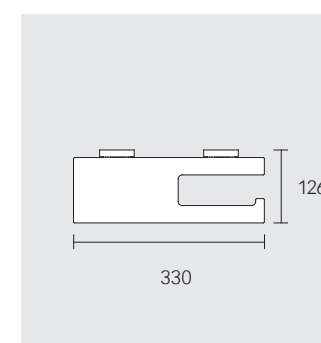
- Open form, with roll brake
- For roll width 100 / 120 mm

19062 010000



**Toilet paper  
spare paper holder**

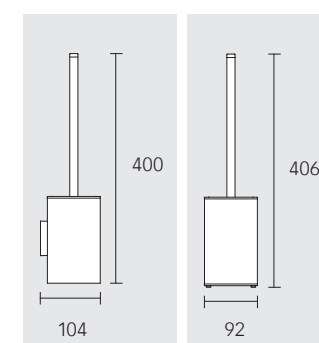
19063 010000



**Toilet paper holder**

- With smoked glass shelf
- Open form
- For roll width 100 / 120 mm

19073 018000



**Toilet brush set**

- Synthetic insert anthracite
- Brush with handle and spare brush head Black

19064 010101 Wall model  
19069 010100 Floor model

### TO MATCH

#### BONDING INSTEAD OF DRILLING

In addition to conventional installation by drilling, KEUCO also offers the option of bonding to fasten some products. The modern KEUCO EDITION 90 accessories can also be installed on many smooth and rough surfaces using a special adhesive, completely without any drilling. No drill holes and dirt are produced in the process and removal is possible without any residue.

To do this, clean the bonding surfaces, determine the position, and bond the mounting plates with the two-component adhesive.

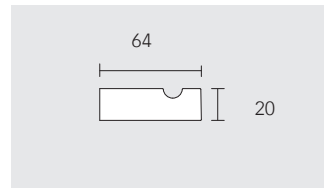


#### INSTALLATION FILM ONLINE

Explore videos on convenient installation in this YouTube play list.

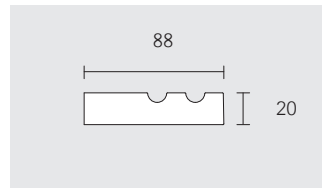
[youtube.com/KEUCO\\_official](https://www.youtube.com/KEUCO_official)





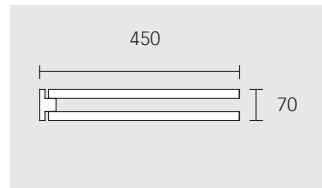
**Towel hook single**

19114 010000



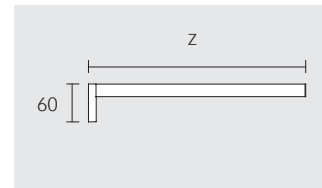
**Towel hook double**

19115 010000



**Towel holder 2-arm, swivelling**

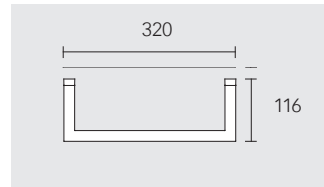
19118 010000



**Towel holder 1-arm, fixed**

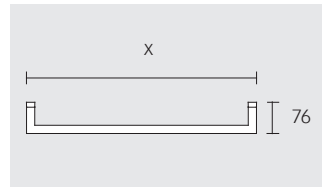
Depth z: 346 / 456 mm

**346 mm:** 19122 010000  
**456 mm:** 19120 010000



**Towel ring fixed**

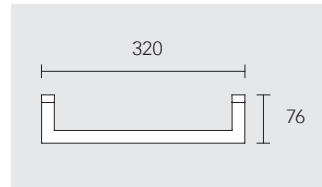
19121 010000



**Towel rail**

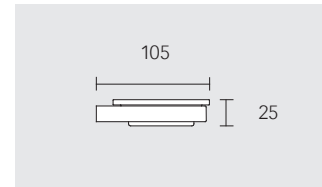
Width x: 560 / 760 mm

**560 mm:** 19101 010600  
**760 mm:** 19101 010800



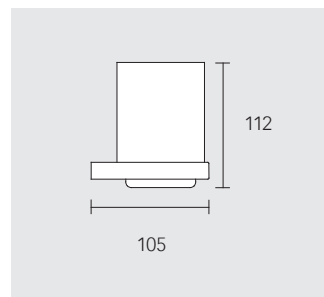
**Grab bar**

19107 010000



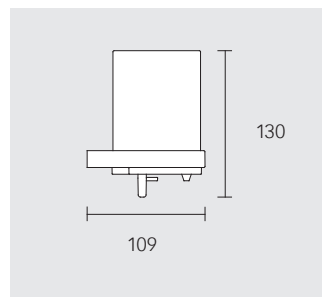
**Soap holder, complete with crystal soap dish**

19155 019000



**Tumbler holder, complete with crystal glass tumbler**

19150 019000

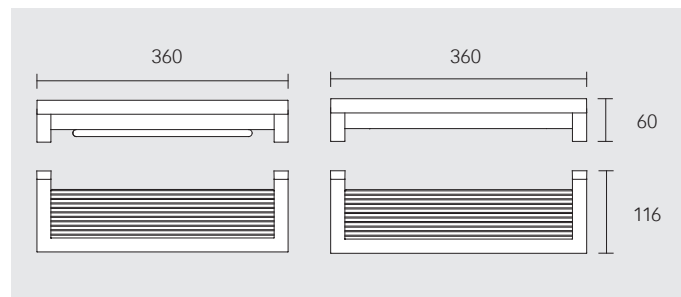


**Lotion dispenser, complete with crystal glass**

Matt crystal glass, holder and pump

- Filling capacity: approx. 180 ml
- Dosage: approx. 0.5 ml/stroke

19152 019000

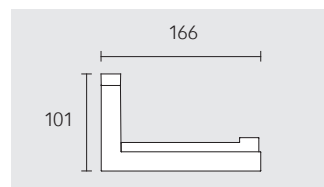


**Shower shelf**

- With or without integrated glass wiper
- Magnetic glass squeegee, light grey (RAL 7035)

**With glass wiper:** 19159 010000 verchromt/Aluminium

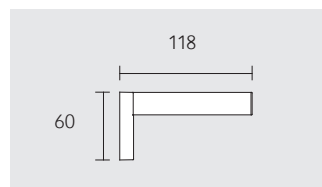
**Without glass wiper:** 19158 010000 verchromt/Aluminium



**Toilet paper holder**

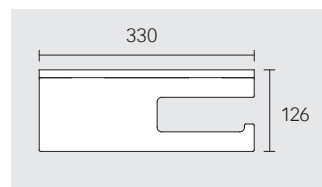
- Open form, with roll brake
- For roll width 100 / 120 mm

19162 010000



**Toilet paper spare paper holder**

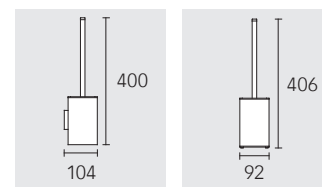
19163010000



**Toilet paper holder**

- With smoked glass shelf
- Open form
- For roll width 100 / 120 mm

19173 018000



**Toilet brush set**

- Synthetic insert anthracite
- Brush with handle and spare brush head black

19064 010101 Wall model  
19069 010100 Floor model



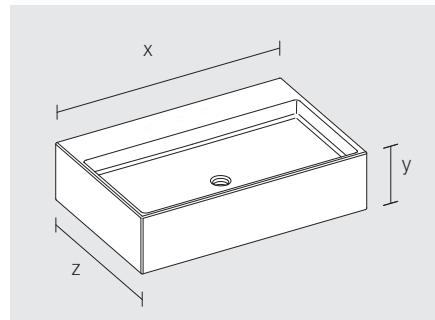


# TECHNICAL SPECIFICATIONS, WASHBASIN, BATHROOM FURNITURE

## WASHBASINS

- Without overflow
- With screw-on brackets / fastening materials for wall mounting

- With odour trap
- Ceramic washbasins with CleanPlus surface sealant



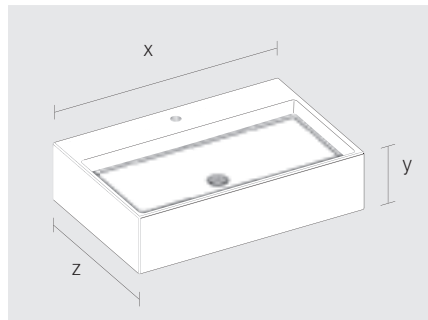
### Washbasin without tap hole

Width x: 805 / 1208 mm  
Height y: 205 mm  
Depth z: 535 mm

**Cast mineral washbasin**  
805 mm white alpine: 39061 318000  
1208 mm white alpine: 39081 311200

**Ceramic washbasin**  
805 mm white: 39062 318000  
805 mm slate grey: 39062 908000

**Ceramic washbasin**  
1208 mm white: 39082 31200  
1208 mm slate grey: 39082 901200



### Washbasin for 1-hole fittings

Width x: 805 / 1208 mm  
Height y: 205 mm  
Depth z: 535 mm

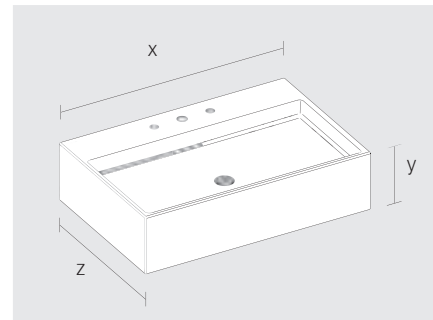
**Cast mineral washbasin**  
805 mm white alpine: 39061 318001  
1208 mm white alpine: 39081 311201

**Cast mineral double washbasin 2x1-hole**  
1208 mm white alpine: 39081 311202

**Ceramic washbasin**  
805 mm white: 39062 318001  
805 mm slate grey: 39062 908001

**Ceramic washbasin**  
1208 mm white: 39082 311201  
1208 mm slate grey: 39082 901201

**Ceramic double washbasin 2x1-hole**  
1208 mm white: 39082 311202  
1208 mm slate grey: 39082 901202



### Washbasin for 3-hole fittings

Width x: 805 / 1208 mm  
Height y: 205 mm  
Depth z: 535 mm

**Cast mineral washbasin**  
805 mm white alpine: 39061 318003  
1208 mm white alpine: 39081 311203

**Cast mineral double washbasin 2x3-hole**  
1208 mm white alpine: 39081 311206

**Ceramic washbasin**  
805 mm white: 39062 318003  
805 mm slate grey: 39062 908003

**Ceramic washbasin**  
1208 mm white: 39082 311203  
1208 mm slate grey: 39082 901203

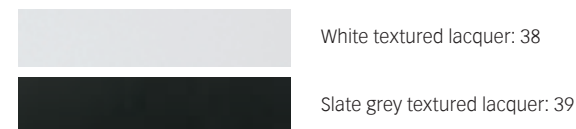
**Ceramic double washbasin 2x3-hole**  
1208 mm white: 39082 311206  
1208 mm slate grey: 39082 901206

## BATHROOM FURNITURE FINISHES AND OPTIONS

### BODY AND FRONT

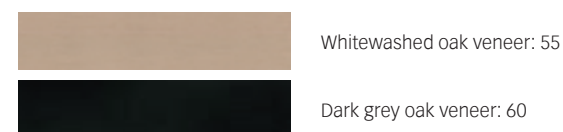
#### Textured lacquer (XX)

Matt lacquer. Finish has a slightly textured and resilient surface.



#### Veneer (YY)

Furniture with veneer surfaces is produced at KEUCO on a custom order basis. Wood is a natural product. Natural variations in colour and structure are possible. This makes each piece of furniture unique.



#### High-gloss lacquer (ZZ)

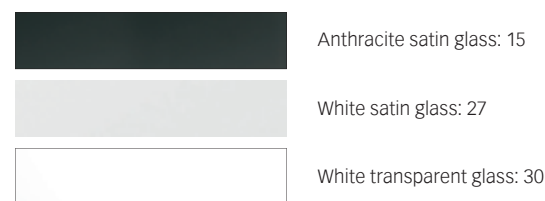
High-gloss lacquer. Features an especially smooth and brilliant lusted surface.



### COVER PLATES

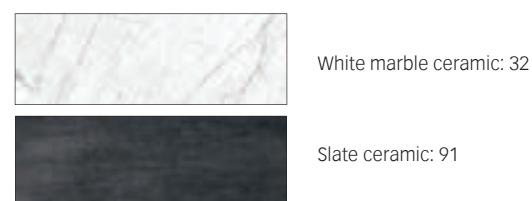
#### Glass (VV)

Glass is a modern material that is known for its brilliance and resilient surface properties. It is not subject to any changes caused by light or environment. Manufactured as tempered glass (ESG), it is highly impervious to shock and impact.



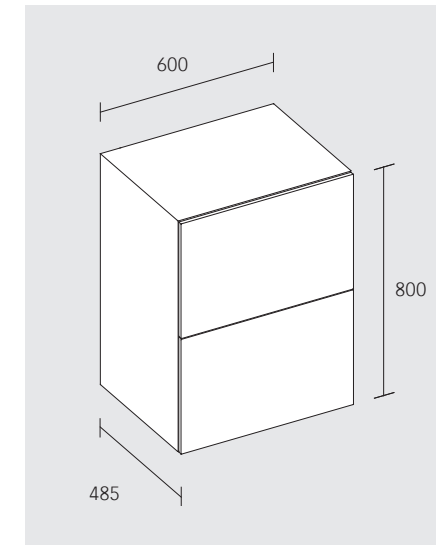
#### Ceramic (WW)

Because of their perfect flatness and dimensional accuracy as well as resistance to climatic conditions and wear, ceramic cover plates are ideal for the bathroom.



## BATHROOM FURNITURE

When ordering, the colour number of the desired surface is to be inserted in the article number instead of the placeholder XX (textured lacquer), YY (veneer), ZZ (high-gloss), VV (glass) or WW (ceramic).

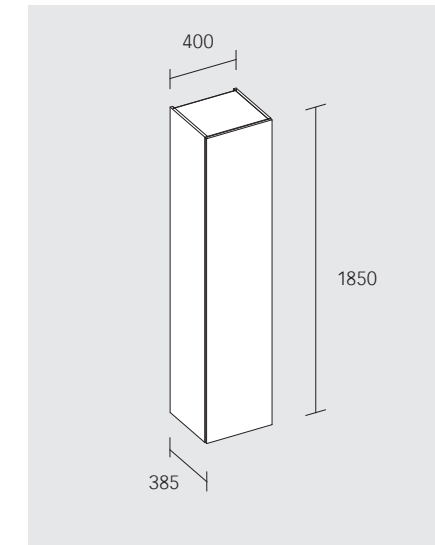


### Side unit, 2 front pull-outs

Push-to-open technology and soft-close functionality

- 2 liner mats
- 1 small divider box made of felt (150 x 62 x 100 mm)
- 1 large divider box made of felt (150 x 62 x 272 mm)

39035 XX0000  
39035 YY0000  
39035 ZZ0000

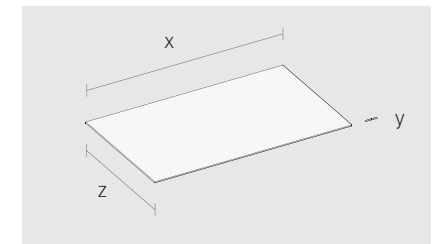


### Tall unit, 1-door

Push-to-open technology and door stop damping

- 4 glass shelves

Door hinge left	Door hinge right
39030 XX0001	39030 XX0002
39030 YY0001	39030 YY0002
39030 ZZ0001	39030 ZZ0002



### Cover plates for side units

**Outer dimensions: 402 x 6 x 486 mm**  
39024 VV9000 / 39024 WW9000

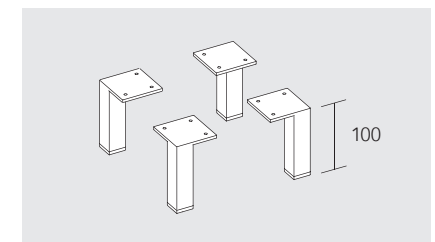
**Outer dimensions: 602 x 6 x 486 mm**  
39025 VV9000 / 39025 WW9000

**Outer dimensions: 802 x 6 x 486 mm**  
39026 VV9000 / 39026 WW9000

**Outer dimensions: 1002 x 6 x 486 mm**  
39027 VV9000 / 39027 WW9000

**Outer dimensions: 1202 x 6 x 486 mm**  
39028 VV9000 / 39028 WW9000

**Outer dimensions: 1402 x 6 x 486 mm**  
39029 VV9000 / 39029 WW9000



### Furniture legs for side units and tall units (4 pcs)

with integrated height adjustment, chrome-finish (polished stainless steel)

39098 010000

### Side unit, 1 front pull-out

Width x: 400 / 600 / 800 / 1000 / 1200 / 1400 mm  
Height y: 400 mm  
Depth z: 485 mm

- Push-to-open technology and soft-close functionality

- 1 liner mat
- 1 small divider box made of felt (150 x 62 x 100 mm)
- 1 large divider box made of felt (150 x 62 x 272 mm)

**Outer dimensions: 400 x 400 x 485 mm**  
39024 XX0000 / 39024 YY0000 / 39024 ZZ0000

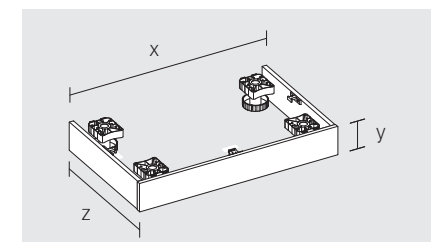
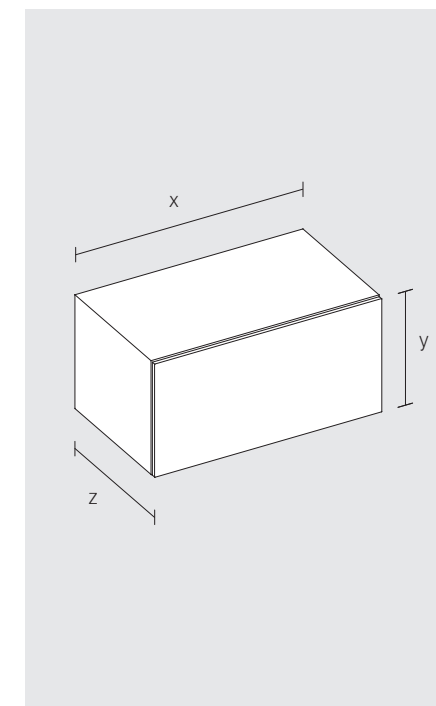
**Outer dimensions: 600 x 400 x 485 mm**  
39025 XX0000 / 39025 YY0000 / 39025 ZZ0000

**Outer dimensions: 800 x 400 x 485 mm**  
39026 XX0000 / 39026 YY0000 / 39026 ZZ0000

**Outer dimensions: 1000 x 400 x 485 mm**  
39027 XX0000 / 39027 YY0000 / 39027 ZZ0000

**Outer dimensions: 1200 x 400 x 485 mm**  
39028 XX0000 / 39028 YY0000 / 39028 ZZ0000

**Outer dimensions: 1400 x 400 x 485 mm**  
39029 XX0000 / 39029 YY0000 / 39029 ZZ0000



### Base package for side units

consists of base cover with height adjustable furniture legs

**Outer dimensions: 300 x 103 x 435 mm**  
39049 XX0000 / 39049 YY0000 / 39049 ZZ0000

**Outer dimensions: 500 x 103 x 435 mm**  
39059 XX0000 / 39059 YY0000 / 39059 ZZ0000

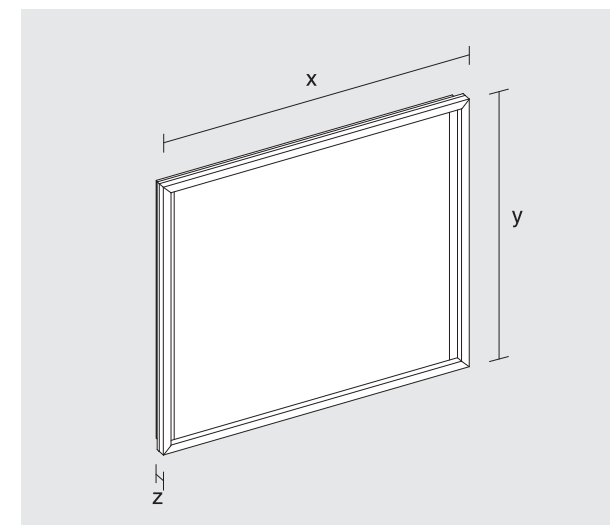
**Outer dimensions: 700 x 103 x 435 mm**  
39069 XX0000 / 39069 YY0000 / 39069 ZZ0000

**Outer dimensions: 900 x 103 x 435 mm**  
39079 XX0000 / 39079 YY0000 / 39079 ZZ0000

**Outer dimensions: 1100 x 103 x 435 mm**  
39089 XX0000 / 39089 YY0000 / 39089 ZZ0000

**Outer dimensions: 1300 x 103 x 435 mm**  
39099 XX0000 / 39099 YY0000 / 39099 ZZ0000



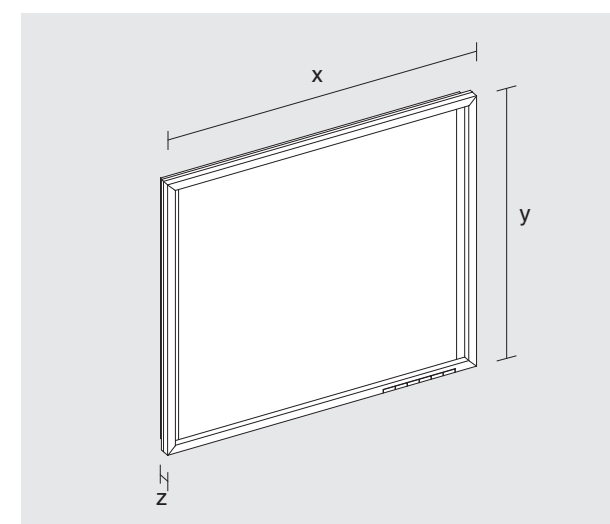


**Crystal mirror**

surrounding chrome-plated frame

Width x: 800 / 1200 mm  
 Height y: 700 mm  
 Depth z: 56 mm

**800 mm:** 19095 012500  
**1200 mm:** 19095 013500



**Light mirror**

surrounding chrome-plated frame

- With or without mirror heater
- Optionally DALI-controllable
- Adjustable light colour from 2700 kelvin (warm white) to 6500 kelvin (daylight)

Operation:

- Touch pad with capacitive touch sensor system, integrated extension function e.g. for room switches
- or DALI-controllable

Lighting:

- LED (lifespan > 30,000 hrs)
- Main light (vertical) and washbasin lighting can be separately switched on/off or dimmed to any level

Mirror heater: automatic shutdown after 20 minutes

Width x: 800 / 1200 mm  
 Height y: 700 mm  
 Depth z: 56 mm

Without mirror heater:	With mirror heater:
<b>800 mm:</b> 19097 012500	<b>800 mm:</b> 19098 012500
<b>1200 mm:</b> 19097 013500	<b>1200 mm:</b> 19098 013500
DALI-controllable:	DALI-controllable with mirror heater:
<b>800 mm:</b> 19097 012503	<b>800 mm:</b> 19098 012503
<b>1200 mm:</b> 19097 013503	<b>1200 mm:</b> 19098 013503



**A PERFECT MATCH**  
**iLook\_move COSMETIC MIRROR**

As a practical utensil for day-to-day care needs, the glare-free iLook\_move cosmetic mirror shines with its slender, refined design in round or square form, with illuminated or unilluminated mirror surface. The hinge technology works brilliantly too: The height, distance, inclination and lateral angle can each be adjusted with a simple motion of the hand.

In the illuminated model with control panel on the glass surface, this innovative mirror with five-fold magnification designed by Tesseraux + Partner offers two different light modes: A daylight function, like that which can be found in professional cosmetic institutes, and a second light colour in flattering warm-white – ideal for perfect evening makeup, for example. The infinitely variable adjustment feature of both light colours is unique.

Whether integrated with the bathroom light switch or controlled via the glass control panel with touch sensor, the iLook\_move is high-tech for beauty-care as well as a consummate masterpiece of form all in one. The LED bulb is long lasting and economical on electricity. If in-wall installation is not an option, a version is also available with adapter plug.

[www.keuco.com/gb/products/cosmetic\\_mirror/](http://www.keuco.com/gb/products/cosmetic_mirror/)



## ABOUT KEUCO

KEUCO GmbH & Co. KG is an internationally active, provider of all premium bathroom furnishings. KEUCO offers a large assortment of fittings, accessories, mirror cabinets, lights and mirrors, washbasins and bathroom furniture "made in Germany". At KEUCO, design and function play a key role. Perfectly manufactured products must combine aesthetic form with sensible functionality. A standard that is systematically applied, from the idea right to the product. Collaboration with designers is a long tradition at KEUCO. The company has been family-operated since its founding in 1953. Its headquarters are located in the Westphalian city of Hemer.



### KEUCO ONLINE

Explore our products and other brochures online

[keuco.com](http://keuco.com)



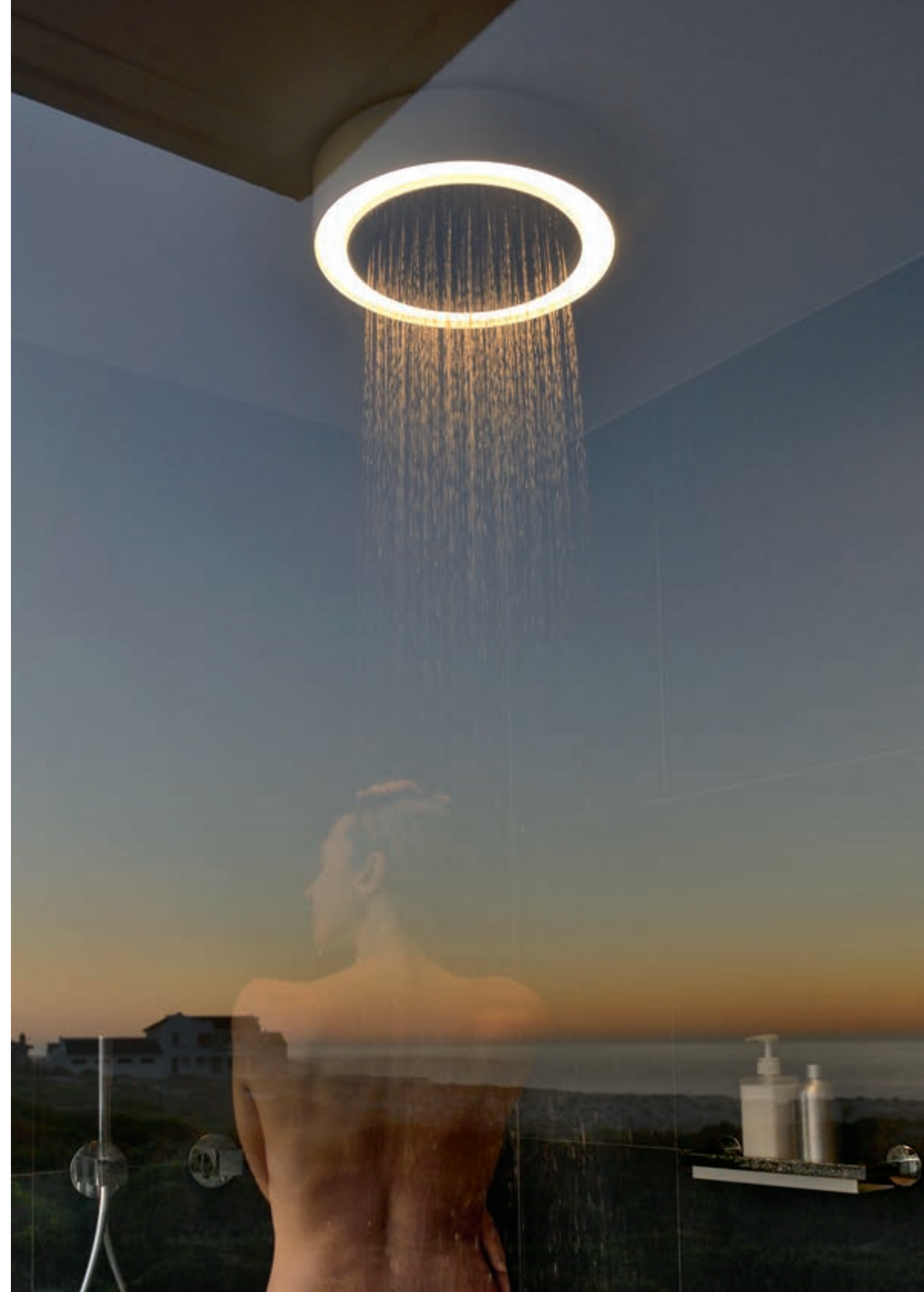
The extraordinary surface characteristics and extremely fine colour nuances of our products can only be reproduced to a certain degree in print. Only the original KEUCO products can provide an optimal impression. They can be seen in the showrooms of sanitary trade dealers. Reproduction and copying, even if only excerpts, are only permitted by express permission of the manufacturer, and with the inclusion of source information. KEUCO GmbH & Co. KG, PO Box 1365, D-58653 Hemer

We reserve the right to make engineering changes for the purpose of improvement, as well as colour and design changes that are deemed necessary. Errors and omissions excepted.

Conception, design and lithography: KEUCO GmbH & Co. KG. Photography: CASA GmbH & Co. KG, Münster; Fotostudio Thomas Apel, Menden. Printing: Meo Media GmbH, Belm.

## CONTACT

<b>GERMANY</b>	KEUCO GmbH & Co. KG Headquarter, 58675 Hemer Tel. +49 2372 904-0 Email: <a href="mailto:info@keuco.de">info@keuco.de</a> <a href="http://www.keuco.com">www.keuco.com</a>
<b>ASIA PACIFIC, MIDDLE EAST</b>	KEUCO Asia Pacific, Middle East Martin Hoffmann Phone +65 8322 76 96 Email: <a href="mailto:martin.hoffmann@keuco.com">martin.hoffmann@keuco.com</a> <a href="http://www.keuco.com">www.keuco.com</a>
<b>BELGIUM</b>	Alain Van de Poel Tél. +32 475 27 53 84 Email: <a href="mailto:info@cocoonpoel.be">info@cocoonpoel.be</a> <a href="http://www.keuco.com">www.keuco.com</a>
<b>FRANCE</b>	KEUCO S.a.r.l. France Tel. +33 3 88 700 200 Email: <a href="mailto:bureau@keuco.fr">bureau@keuco.fr</a> <a href="http://www.keuco.com">www.keuco.com</a>
<b>GREAT BRITAIN</b>	KEUCO UK James Sketch Phone +44 1442 865 220 Email: <a href="mailto:info@keuco.co.uk">info@keuco.co.uk</a> <a href="http://www.keuco.com">www.keuco.com</a>
<b>ITALY</b>	AL.MA.s.a.s di Violato Renato KEUCO Italia Tel. +39 426 53812 Email: <a href="mailto:alma@al-ma.191.it">alma@al-ma.191.it</a> <a href="http://www.keuco.com">www.keuco.com</a>
<b>HOLLAND</b>	Noorden: Jan Betten Tel. +31 612 09 8662  Zuiden: Ton Schoenmakers Tel. +31 653 14 4178 Email: <a href="mailto:info@keuco.nl">info@keuco.nl</a> <a href="http://www.keuco.com">www.keuco.com</a>
<b>NORTH AMERICA</b>	North America Oliver Bleich Phone +1 877 281 8260 Email: <a href="mailto:oliver@keucoamericas.com">oliver@keucoamericas.com</a> <a href="http://www.keuco.com">www.keuco.com</a>
<b>POLAND</b>	Marek Burnóg Tel. +48 606 206 767 Email: <a href="mailto:keuco@mb-linea.pl">keuco@mb-linea.pl</a> <a href="http://www.keuco.com">www.keuco.com</a>
<b>SWITZERLAND</b>	KEUCO AG Tel. +41 62 888 00 20 Email: <a href="mailto:info@keuco.ch">info@keuco.ch</a> <a href="http://www.keuco.com">www.keuco.com</a>
<b>SLOVAKIA</b>	Stanislav Mensik Tel. +421 903 730 264 Email: <a href="mailto:mensik@mensik.sk">mensik@mensik.sk</a> <a href="http://www.keuco.com">www.keuco.com</a>
<b>CZECH REPUBLIC</b>	Martin Novotný Tel. +420 771 185 666 Email: <a href="mailto:martin.novotny@keuco.com">martin.novotny@keuco.com</a> <a href="http://www.keuco.com">www.keuco.com</a>
<b>SPAIN</b>	Joaquín García Adrados Tel. +34 679 41 74 67 Email: <a href="mailto:joaquin.garcia@keuco.com">joaquin.garcia@keuco.com</a> <a href="http://www.keuco.com">www.keuco.com</a>
<b>RUSSIA</b>	KEUCO Russia Mikhail Komendantov Tel. +7 495 953 81 11 Email: <a href="mailto:mikhail.komendantov@keuco.com">mikhail.komendantov@keuco.com</a> <a href="http://www.keuco.com">www.keuco.com</a>





# KEUCO

KEUCO GmbH & Co. KG  
PO Box 1365  
D-58653 Hemer  
Phone +49 2372 904-0  
Fax +49 2372 904-236  
info@keuco.de  
keuco.com