

KEUCO

SOLO SENSATIONS

IXMO_solo

NEW

now also as a
thermostat



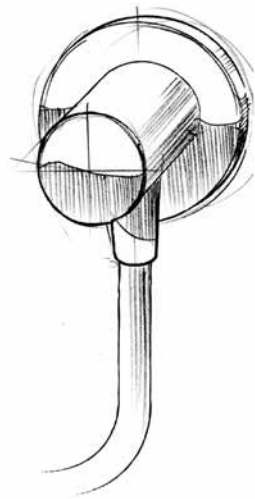
Art.-Nr.: 03507/470400 IXMO_solo, englisch, 02/2019

KEUCO GmbH & Co. KG
Postfach 1365
58653 Hemer
Telephone +49 2372 904-0
Telefax +49 2372 904-236
info@keuco.de
www.keuco.com

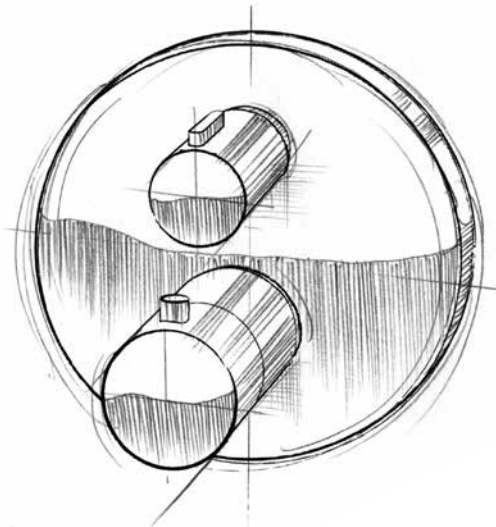
KEUCO

THE PAST

wall outlet for
hose connection

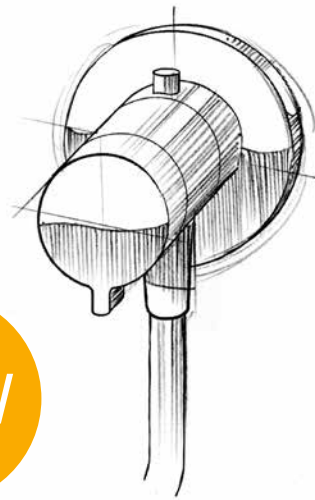


Thermostat and
stop valve



THE FUTURE

IXMO_solo Thermostat
with stop valve and wall outlet
for hose connection



NEW

In the KEUCO philosophy product design isn't just about aesthetics. The standard itself is holistic: Create a design icon while adding relevant improvements to a product at the same time.

To produce IXMO_solo the underlying IXMO principle was radically applied: It is simply impossible to combine the separate functions any further to achieve more reduction.





INNOVATION

With the new in-wall fitting in the IXMO family the motto „less can do more“ has never been so true. Three in one: For a unique and complete shower solution all that is required is the impressively small, multifunctional IXMO_solo thermostat and no further water-conducting elements.

Operating it is easy and can be grasped intuitively. The water flow is regulated at the front, the temperature at the back. And naturally, it also has a 38 °C safety stop. The connection for the shower hose is at the bottom.

Round or square? Regardless whether round or square decor discs, all IXMO_solo modules are so consistently designed that they perfectly match all other KEUCO lines.



PERFECTION

The rail with a sliding bracket for the shower head and an adjustable tilt angle is the perfect blend of longevity, aesthetic design and sensible functionality. With its convenient length of 855 mm, the hand shower sliding rail is so robust that it can even be used as a handhold.

The height of the sliding bracket is adjustable and can be easily operated with only one hand. When the height is adjusted it locks in place automatically with a spring mechanism. Rotate the handle, thus loosening the sliding bracket, adjust it to the desired height, let go of the handle, and now the hand shower is fixed in place on the rail again. The sliding bracket for the shower head can be converted from a right-handed to a left-handed operation, simply by rotating it 180 degrees around the tubular rail.



VARIATION

Available in white or dark grey, the practical shelf integrated at the bottom of the hand shower's sliding rail can be swivelled and is robust enough to bear considerable weight. So it is also suitable for larger, heavier or multiple shampoo bottles and shower utensils.





FOR MINIMALISTS

The IXMO wall bracket for hand shower satisfies all requirements on reduced design in the bathroom, in line with the general trend in the direction of minimalist shower solutions. Of special note are its two locking positions for the hand shower: Neat and tidy in standard position vertically against the wall, and in the optimum showering position at a 60 degree angle.

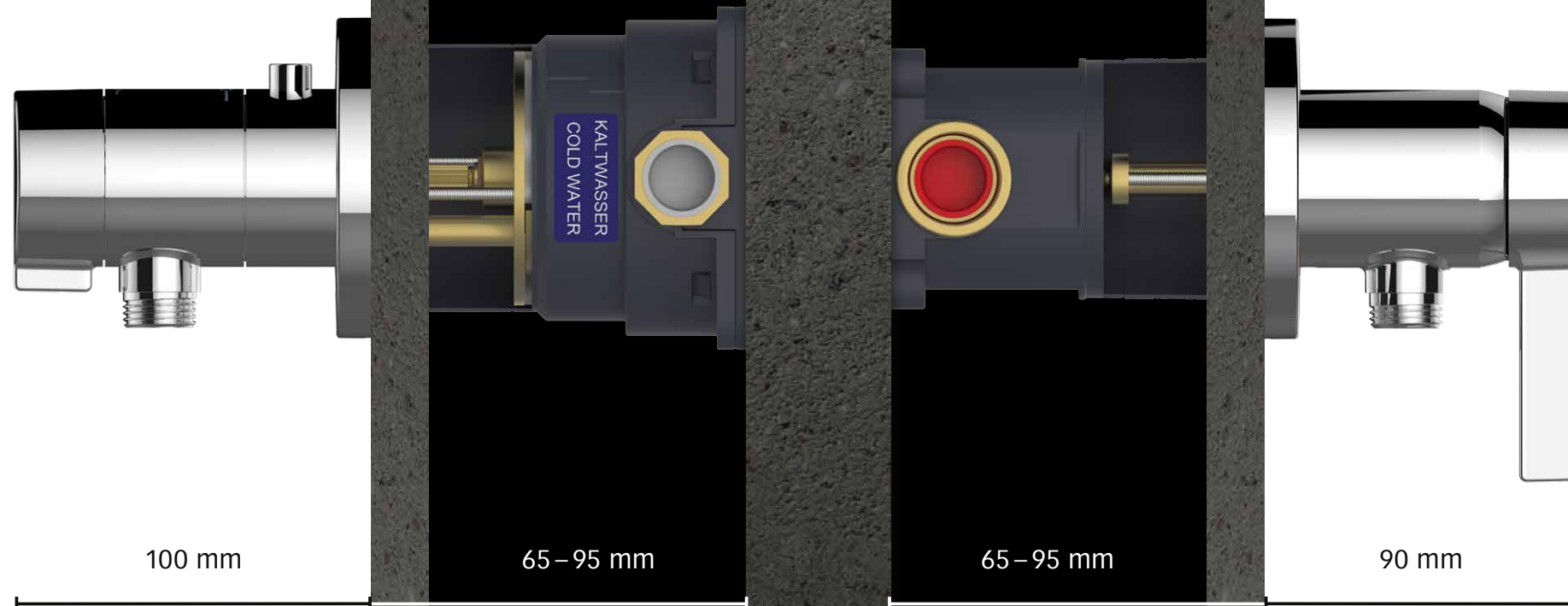


FUNCTION

The special thing about the IXMO_solo thermostat and the IXMO_solo single-lever mixer are their small and consistent dimensions. The thermostat projects out from the wall exactly 100 mm and the single-lever mixer 90 mm. The diameter or the edge length of the round or rectangular decor disc alternatives are also 90 mm.

The in-wall installation units are easy to install in thin walls or during subsequent modernisation work. This is due to the remarkably shallow minimum installation depth of 65 mm. Due to the intelligent depth-compensation feature, it can be flexibly adjusted by any amount from 65 to 95 mm.

Additionally, with only one element required on the wall, both IXMO_solo modules considerably reduce the effort required for cleaning.



The IXMO_solo single-lever mixer has even more beneficial features to offer: At any time the water temperature and flow rate can be adjusted to suit your needs. This saves energy and money.



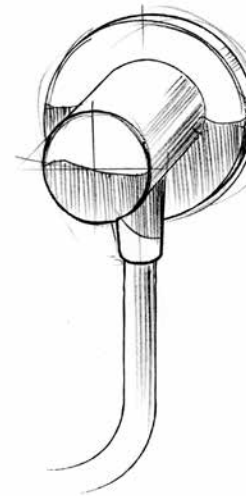
REDUCTION

Minimalism means eliminating the unnecessary. That is precisely the IXMO concept.

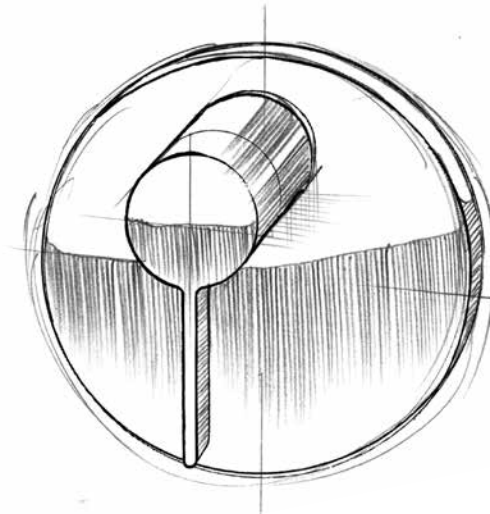
A fitting combines single-lever mixer with hose connection in only one module: The result is more design freedom in the bathroom and considerably less installation work, since there is only one water-conducting element on the wall. The minimalistic approach of IXMO sets new standards in bathroom design.

THE PAST

*wall outlet for
hose connection*

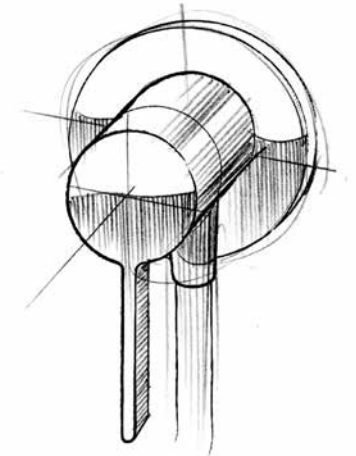


single-lever mixer



THE FUTURE

*IXMO_solo single-lever mixer
with wall outlet for
hose connection*



PRODUCT OVERVIEW

Finishes:



chrome-plated



stainless steel finish



aluminium finish



59552



59554



59552



59554

59552

Set consisting of:

– Single-lever mixer with wall outlet for shower hose DN 15

Mixing cartridge with ceramic sealing gaskets, temperature limiter and flow rate limiter, wall outlet for shower hose intrinsically safe against backflow in accordance with DIN EN 1717, 90 mm projection

Finish set consisting of:

lever, sleeve, decor disc (round or rectangular), installation unit and wall outlet for shower hose

– In-wall installation unit for single-lever mixer with wall outlet for shower hose DN 15

Rough part for recessed installation, installation depth 65–95 mm

Classification according to noise group I and flow rate class A

59554

Set consisting of:

– Thermostatic mixer with stop valve and wall outlet for hose connection DN 15

safety cut-off at 38 °C, wall outlet for shower hose intrinsically safe against backflow in accordance with DIN EN 1717, 100 mm projection

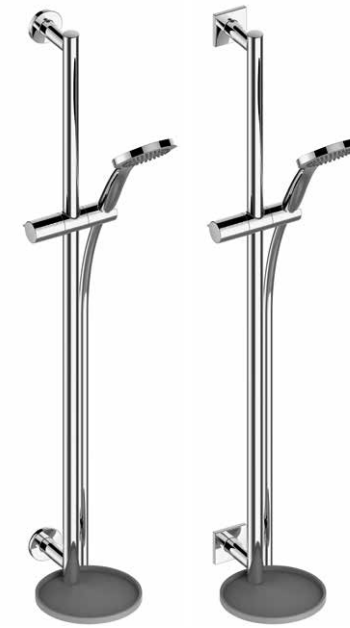
Finish set consisting of:

handle, sleeve, decor disc (round or rectangular), installation unit and wall outlet for shower hose

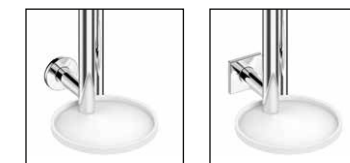
– In-wall installation unit for thermostatic mixer with stop valve and wall outlet for hose connection DN 15

Rough part for recessed installation, installation depth 65–95 mm

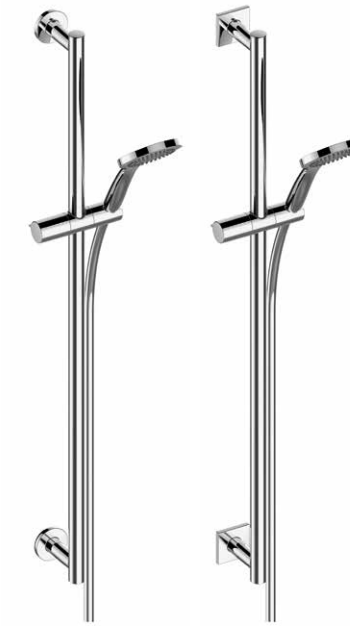
Classification according to noise group I and flow rate class A



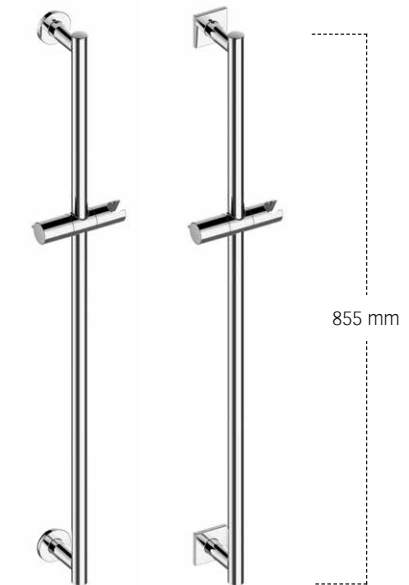
59587



59587



59587



59585



59591



59580



54995

59587*

Shower set

consisting of:

- 855 mm rail, decor discs (round or rectangular), with sliding bracket for shower head, height adjustment with handle, tilt angle adjustable to any position, usable on right or left
- hand shower with normal jet
- 1600 mm shower hose
- shelf (white or anthracite), Ø 180 mm, with drainage, rotatable
- tile compensation plate (5 mm)

59587*

Shower set

- 855 mm rail, decor discs (round or rectangular), with sliding bracket for shower head, height adjustment with handle, tilt angle adjustable to any position, usable on right or left
- hand shower with normal jet
- 1600 mm shower hose
- tile compensation plate (5 mm)

59591

Wall bracket for hand shower

for shower hoses with conical nuts, hand shower can be placed in 2 positions: 90° (vertical) or 60° (angle)

59580

Hand shower

with ECO AIR function, normal jet, restricted flow rate 11 l/min.

59585*

Hand shower sliding rail

consisting of:

- 855 mm rail, decor discs (round or rectangular), with sliding bracket for shower head, height adjustment with handle, tilt angle adjustable to any position, usable on right or left
- tile compensation plate (5 mm)

54995

Shower hose DN 15

metal effect and anti-kink, both ends fitted with conical nut and twist-protection 1250, 1600, 2000 mm

Find out more about IXMO and visit our online planner at www.ixmo.de

* Depending on the surface, the choice is to fix by screw or glue. Glue set (Article No. 04994 000300) to be ordered separately.