

saniCRO[®]

certifications

ISO 9001: 2015

**INNOVATION
DESIGN
QUALITY
CARE**

PRODUCTION AND DISTRIBUTION
ALL OVER THE WORLD

SHOWER PANELS	7
SHOWER SYSTEMS	10
SHOWER SETS	20
HANDSHOWERS	
SHOWER HEADS	34
ACCESSORIES	52

THE STORY OF A LIFE

SANICRO TAKES ALL THE GOOD OF THE PAST

To heal the present and dream the future



SINCE 1914

CARE-QUALITY-DEVELOPMENT-INNOVATION-DESIGN

Sanicro is the story of a Company. It's the story of a life. The story of a family that still bases its values on human relationships. Sanicro designs, manufactures, sells high quality handshowers. It shows the care of the most special ties, the attention for its Customers, in Italy and abroad. It guarantees the acceptance of the individual needs, answers to the needs and acts as an intermediary for foreign markets. It provides personalized services, including the consignment stock. It invests in the development of functional and innovative products highly certificated, but with a sophisticated and elegant Italian design. It combines style and efficiency. It feels the modern requirements and studies a new concept of shower, at low environmental and ecological impact, because the care of ourselves passes also through the attention to others and to the nature. That's why you can trust: Sanicro takes all the good of the past and also chooses to innovate, create, evolve. Sanicro designs a shower for every need. Sanicro knows that the world, your world, needs cares.

PRODUCTION AND DISTRIBUTION FOR ITALIAN AND FOREIGN CUSTOMERS ALL OVER THE WORLD

CONCEIVING, CO-DESIGN, PROTOTYPING AND PRODUCTION

Through the collaboration with Flowservice, Sanicro offers and co-designs to its customers a product that meets customers' needs. Then, starting from the idea, some different solutions will be submitted, such as 3D representation of the working prototype or a pre-series. Through innovative software that monitor and reduce manufacturing defects, it is also possible to design highly efficient moulds, allowing a considerable saving of resources, in terms of money and energy. Sanicro accompanies the customer from the concept to finished product.

MEDIATION

Sanicro has suppliers and customers all over the world. Through this network of bonds can act as an intermediary between customer and abroad supplier, to ensure quick and easy transactions, with reliable and tested partners under a high quality supervision and control.

CONSIGNMENT STOCK

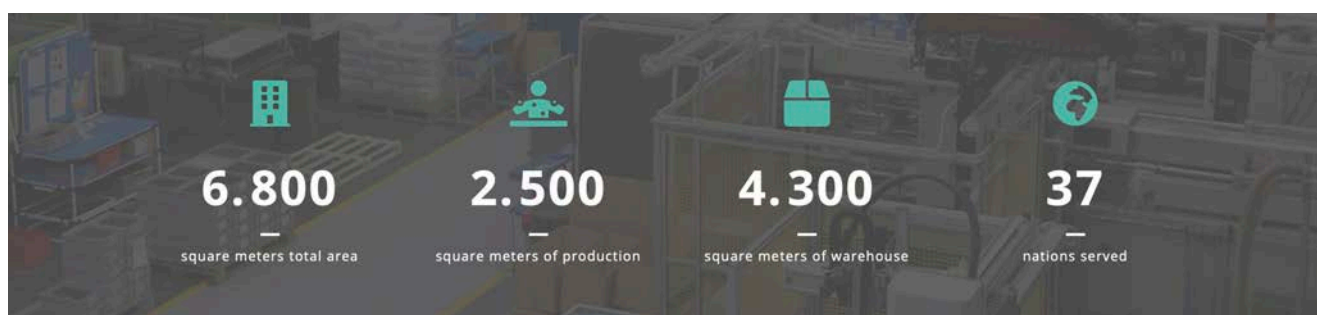
Sanicro can manage and supply the customers' warehouses, with storage and delivery to individual stores in Italy and Europe.

STRONG POINTS

The Sanicro's facilities is composed of 6800 square meters, 2500 for production and 4300 for warehouse use.

RELIABILITY

Technological, design and engineering innovation. Flexibility and Speed production and sales. Adaptable to specific needs of executive customer requirements. Global consulting Sanicro accompanies the customers and answers to their needs, at all stages of the production and distribution.



SHOWER PANELS

SHOWER PANEL

SAN013

ART. SAN013

designer: UT Sanicro

AVAILABLE ONLY UPON
PURCHASE ORDERS

SHOWER PANEL MADE
IN POLISHED STAINLESS
STEEL
WITH THERMOSTATIC.



SHOWER TRAY >90



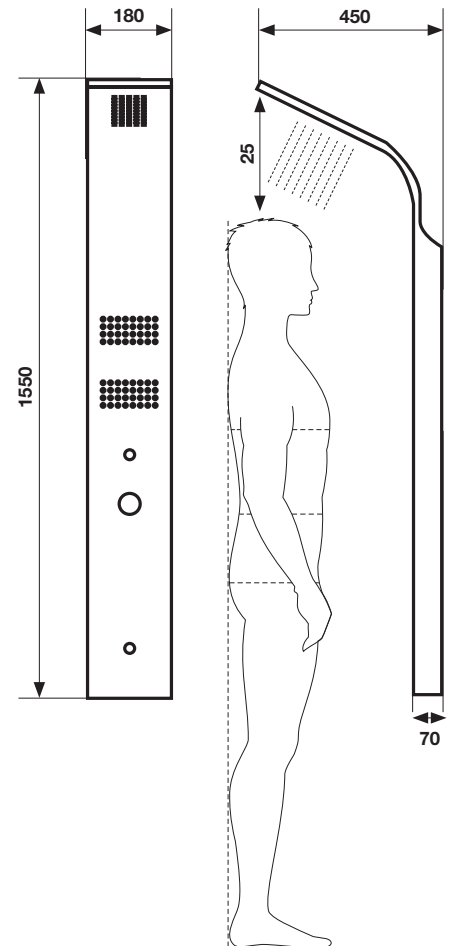
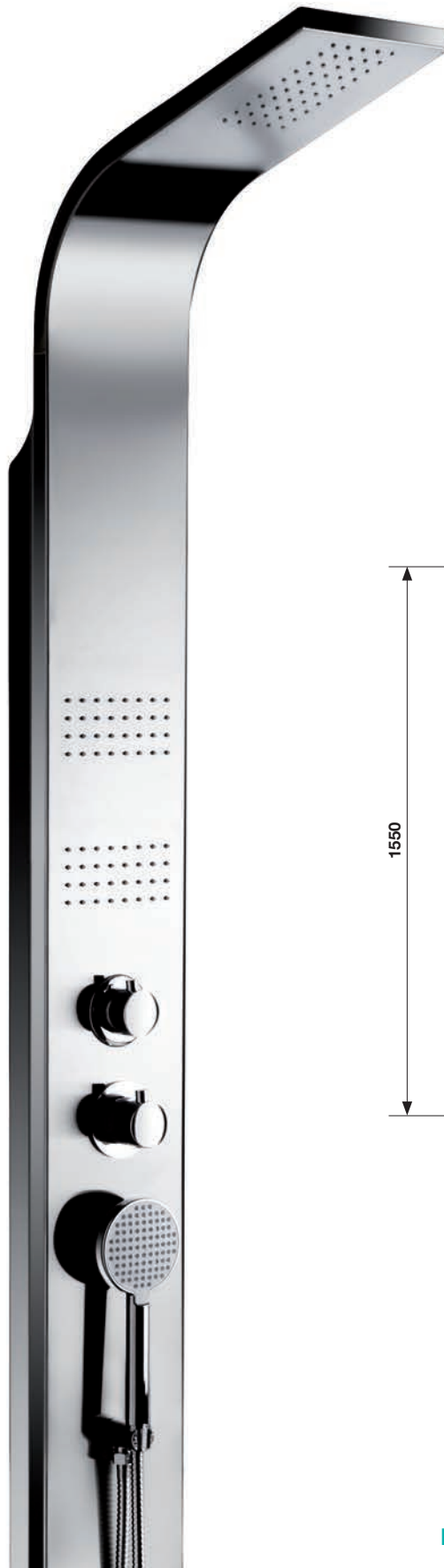
EASY CLEAN



1 JET



RAIN



In conformity with
DIN EN 1112

SHOWER PANEL

SAN012

ART. SAN012

designer: UT Sanicro

AVAILABLE ONLY UPON
PURCHASE ORDERS

SHOWER PANEL
MADE IN BRUSHED
STAINLESS STEEL
WITH STANDARD MIXER.



SHOWER TRAY >90



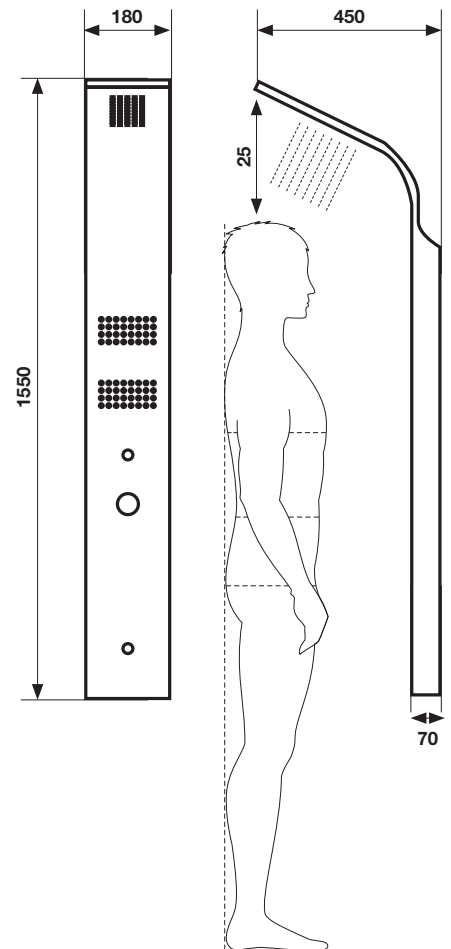
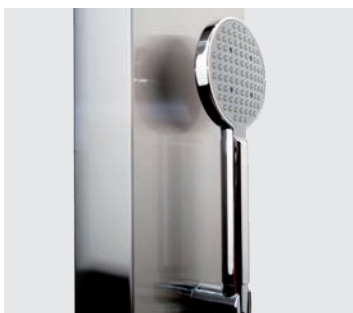
EASY CLEAN



1 JET



RAIN



In conformity with
DIN EN 1112

SHOWER SYSTEMS

HERE SOME SHOWER SYSTEM PROPOSALS.
AVAILABLE ALSO THE SINGLE SEPARATE COMPONENTS
LIKE SHOWER COLUMN, HANDSHOWER,
SHOWER HEAD, DIVERTER, AND FLEXIBLE HOSE.
WE CAN ALSO CREATE THE SHOWER SYSTEM
AS YOU PREFER.

SHOWER SYSTEM

“C”

ART. SAN04522

designer: UT Sanicro

SHOWER COLUMN C

COMPOSED OF:

Chrome/gray ABS round shower head. Handshower 1 jet. Brass shower column with 2 adjustable end feet. Stainless steel flexible hose aisi 304 cm 150 conical nut. Brass diverter. Fitting kit.



LOW PRESSURE NEEDED



EASY CLEAN



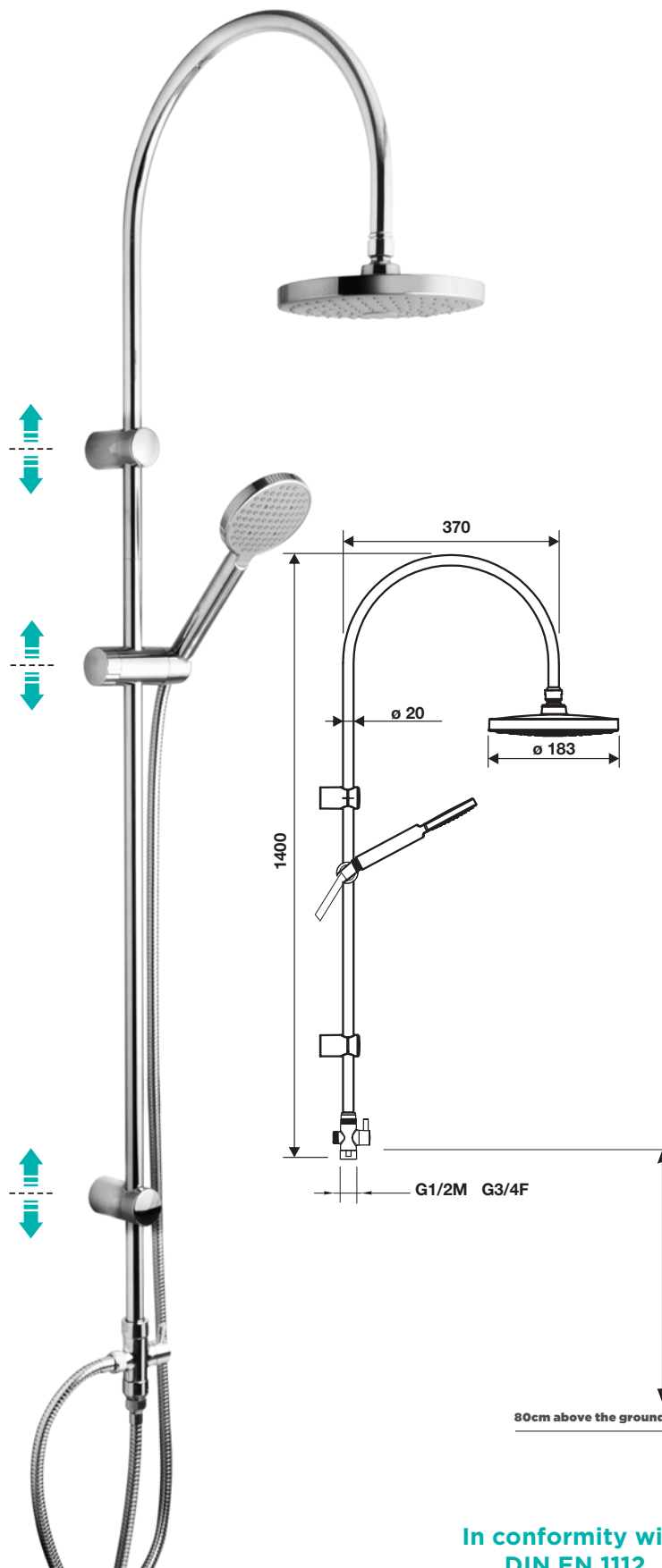
EASY TO ASSEMBLE



1 JET



RAIN



In conformity with
DIN EN 1112

SHOWER SYSTEM

“SQUARE FIX”

ART. SAN04309

designer: UT Sanicro

**TELESCOPIC RIGID
SHOWER COLUMN
SQUARE COMPOSED OF:**
Stainless steel square
shower head. Brass
handshower square 1 jet.
Telescopic brass shower
column. Stainless steel
flexible hose aisi 304 cm
150 conical nut. Brass
diverter. Fitting kit.



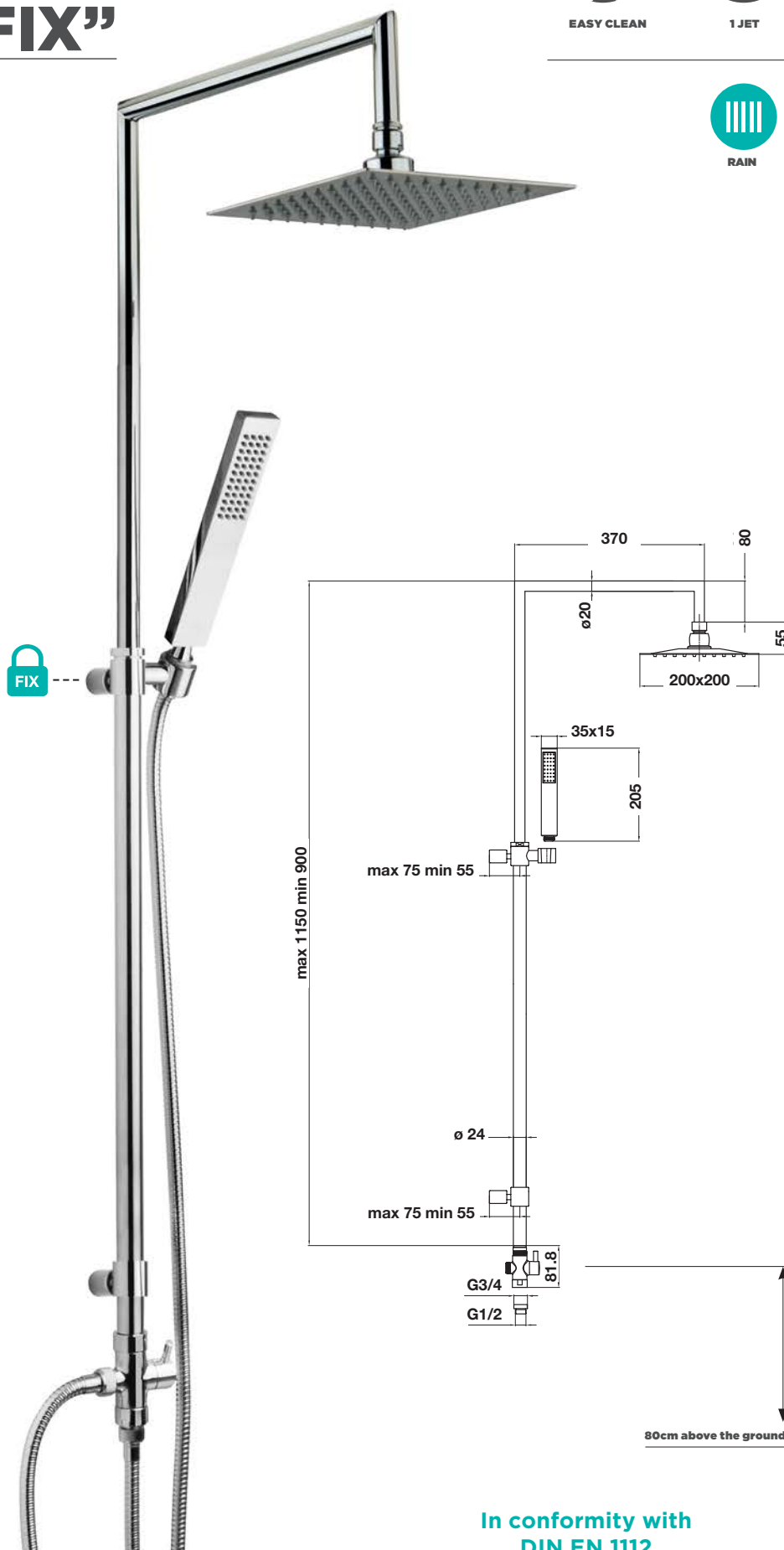
EASY CLEAN



1 JET



RAIN



In conformity with
DIN EN 1112

SHOWER SYSTEM

“SQUARE”

ART. SAN04758

designer: UT Sanicro

**RIGID SHOWER COLUMN
SQUARE COMPOSED OF:**
Stainless steel square
shower head. Brass
handshower square 1 jet.
Brass shower column.
Stainless steel flexible
hose aisi 304 cm 150
conical nut. Brass diverter.
Fitting kit.



EASY CLEAN



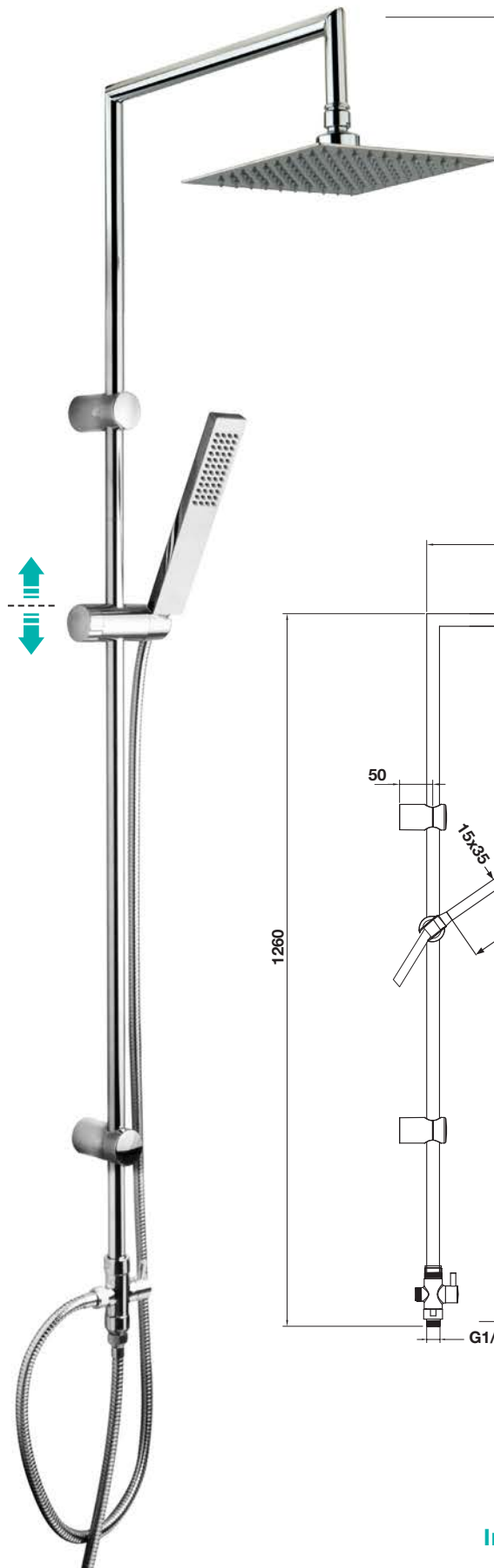
EASY TO ASSEMBLE



1 JET



RAIN



In conformity with
DIN EN 1112

SHOWER SYSTEM

“4700”

ART. SAN04700

designer: UT Sanicro

TELESCOPIC SHOWER COLUMN COMPOSED OF:
Stainless steel round shower head. Chrome plated abs handshower 1 jet. Chrome plated brass raiser rail. Stainless steel flexible hose aisi 304 cm 150 conical nut. Diverter.



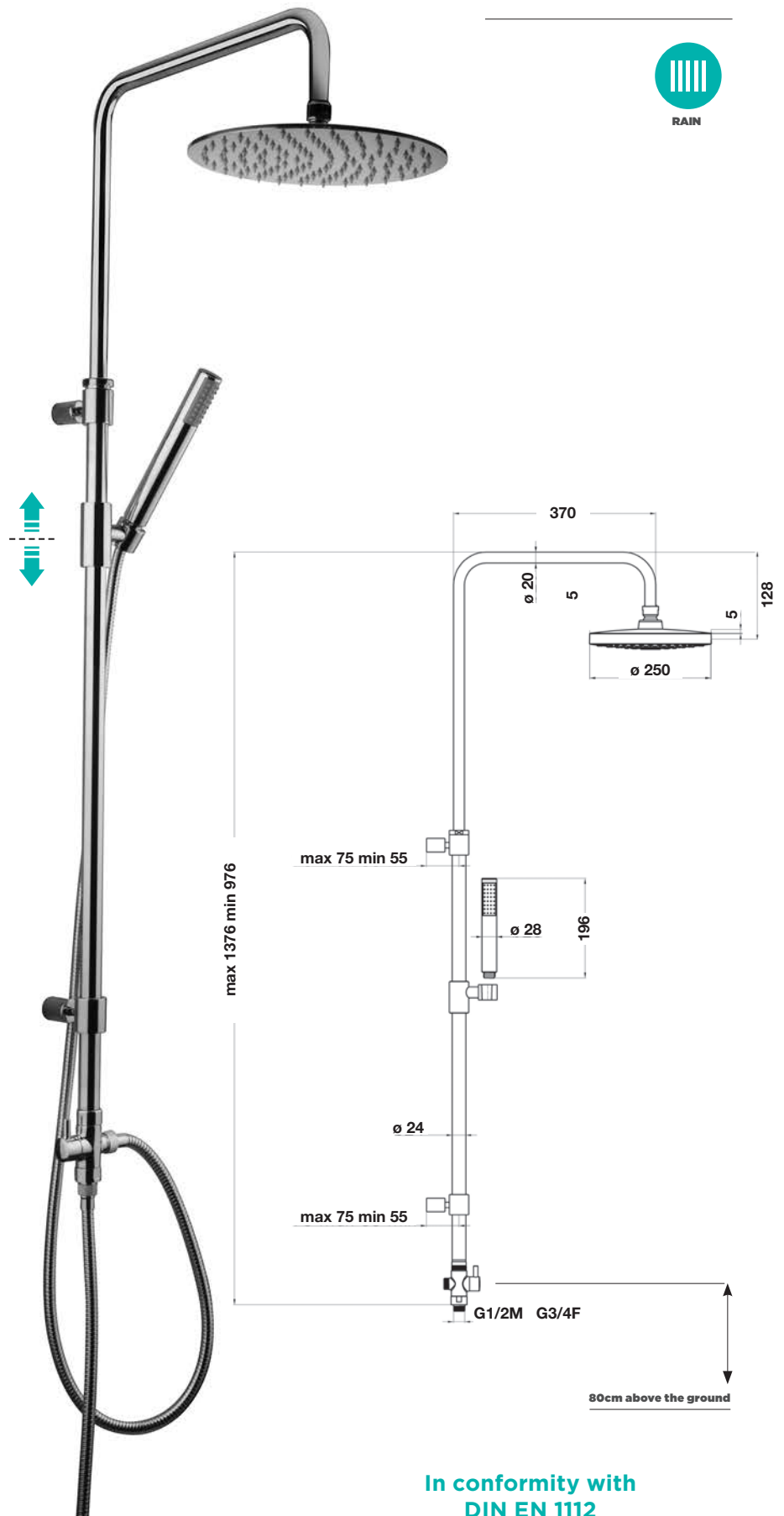
EASY CLEAN



1 JET



RAIN



In conformity with
DIN EN 1112

SHOWER SYSTEM

“4726”

ART. SAN04726

designer: UT Sanicro

SHOWER COLUMN

COMPOSED OF:

Stainless steel round shower head. Chrome plated abs handshower 1 jet. Chrome plated brass raiser rail with wall bracket adjustable in depth. Stainless steel flexible hose aisi 304 cm 150 conical nut. Diverter.



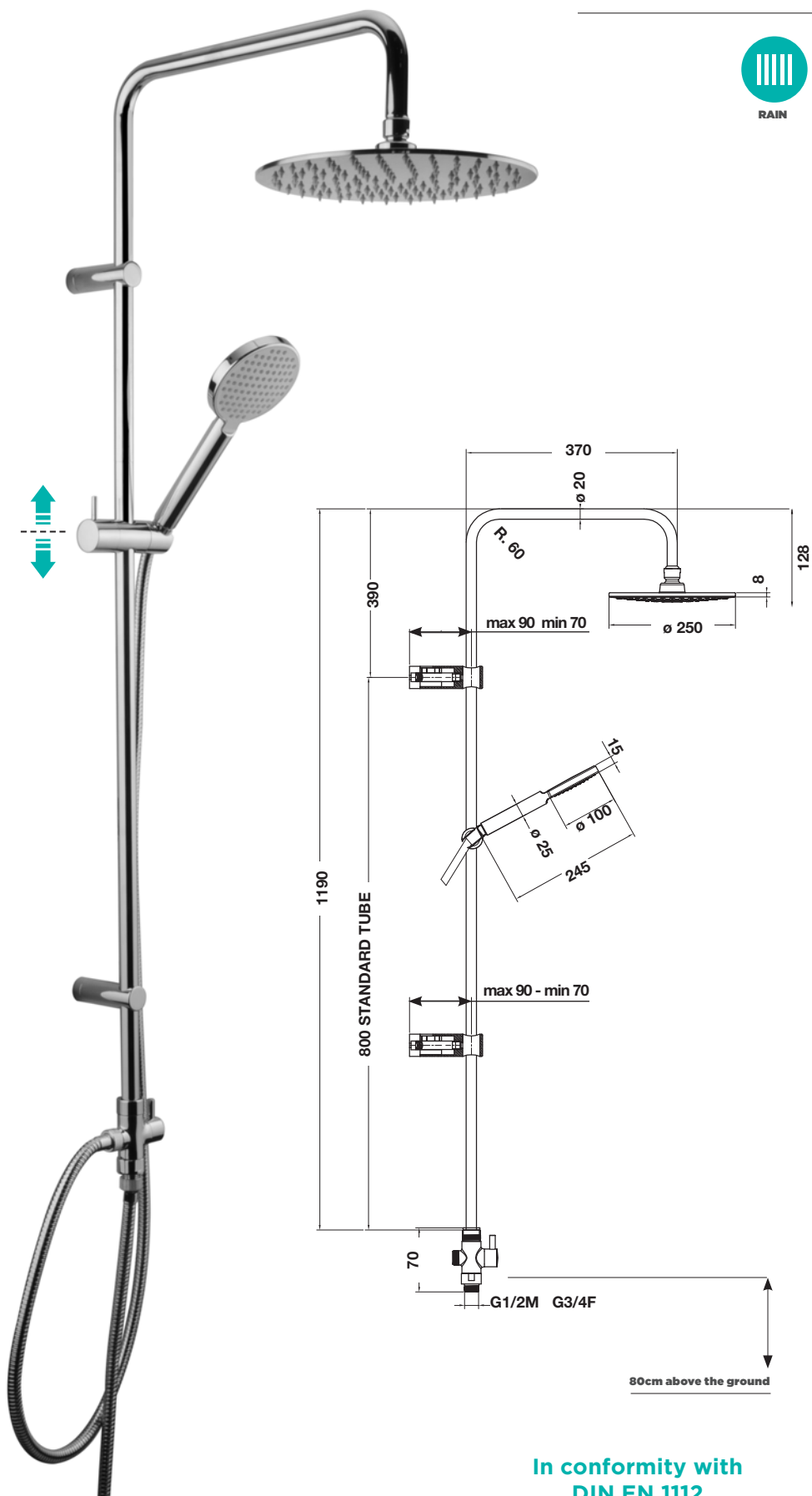
FACILE PULITURA
EASY CLEAN



1 GETTO
1 JET



RAIN



In conformity with
DIN EN 1112

SHOWER SYSTEM

“U”

ART. SAN04311

designer: UT Sanicro

TELESCOPIC SHOWER COLUMN U

COMPOSED OF:

Chrome/gray ABS round shower head ABS handshower 1 jet. Telescopic brass shower column with 2 adjustable end feet. Stainless steel flexible hose aisi 304 cm 150 conical nut. Brass diverter. Fitting kit.



LOW PRESSURE NEEDED



EASY CLEAN



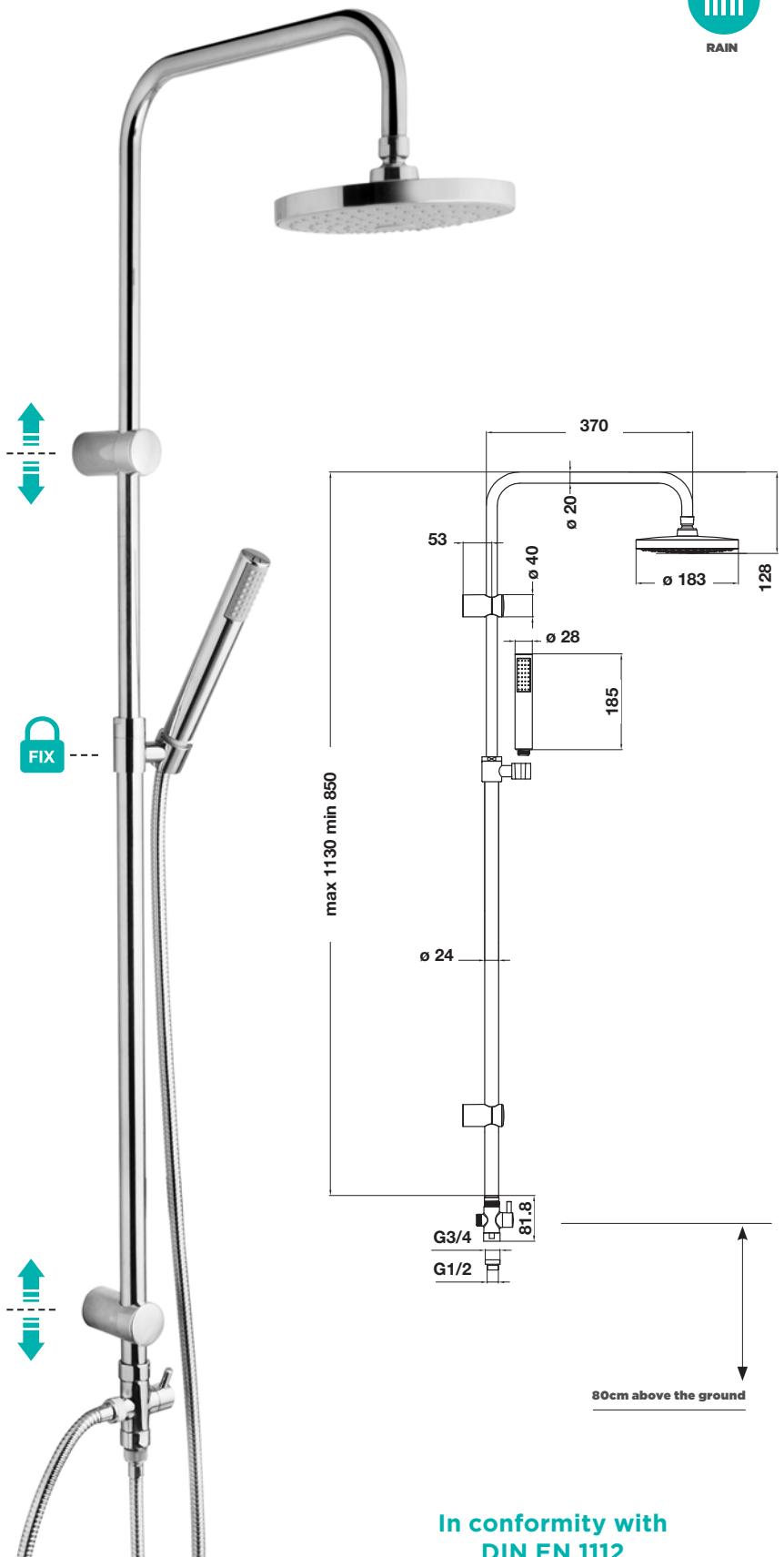
EASY TO ASSEMBLE



1 JET



RAIN



In conformity with
DIN EN 1112

SHOWER SYSTEM

“C/04310”

ART. SAN04310

designer: UT Sanicro

TELESCOPIC SHOWER COLUMN C

COMPOSED OF:

Chrome/gray ABS round shower head. ABS handshower 1 jet. Telescopic brass shower column with 2 adjustable end feet. Stainless steel flexible hose aisi 304 cm 150 conical nut. Brass diverter. Fitting kit.



LOW PRESSURE NEEDED



EASY CLEAN



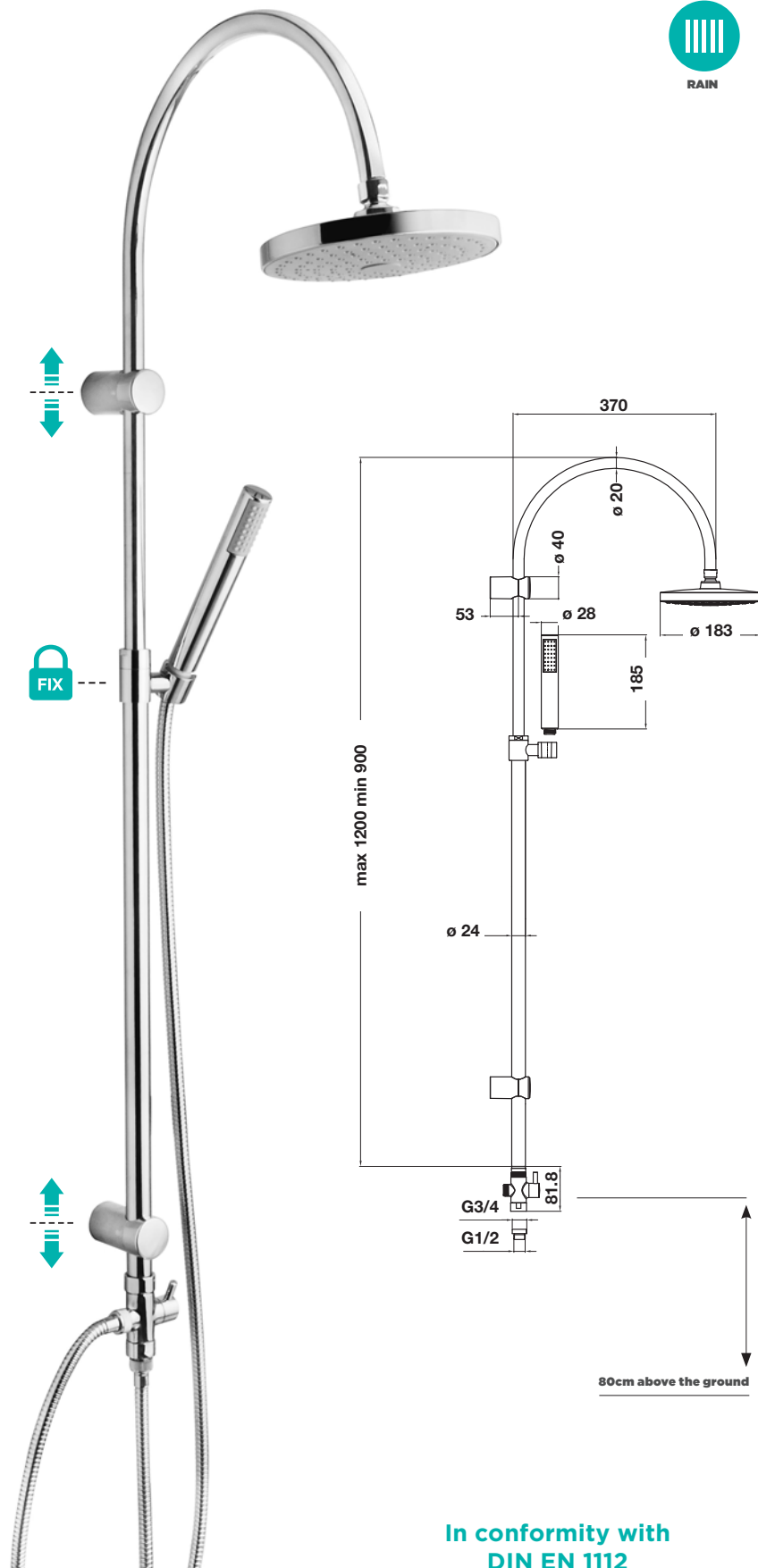
EASY TO ASSEMBLE



1 JET



RAIN



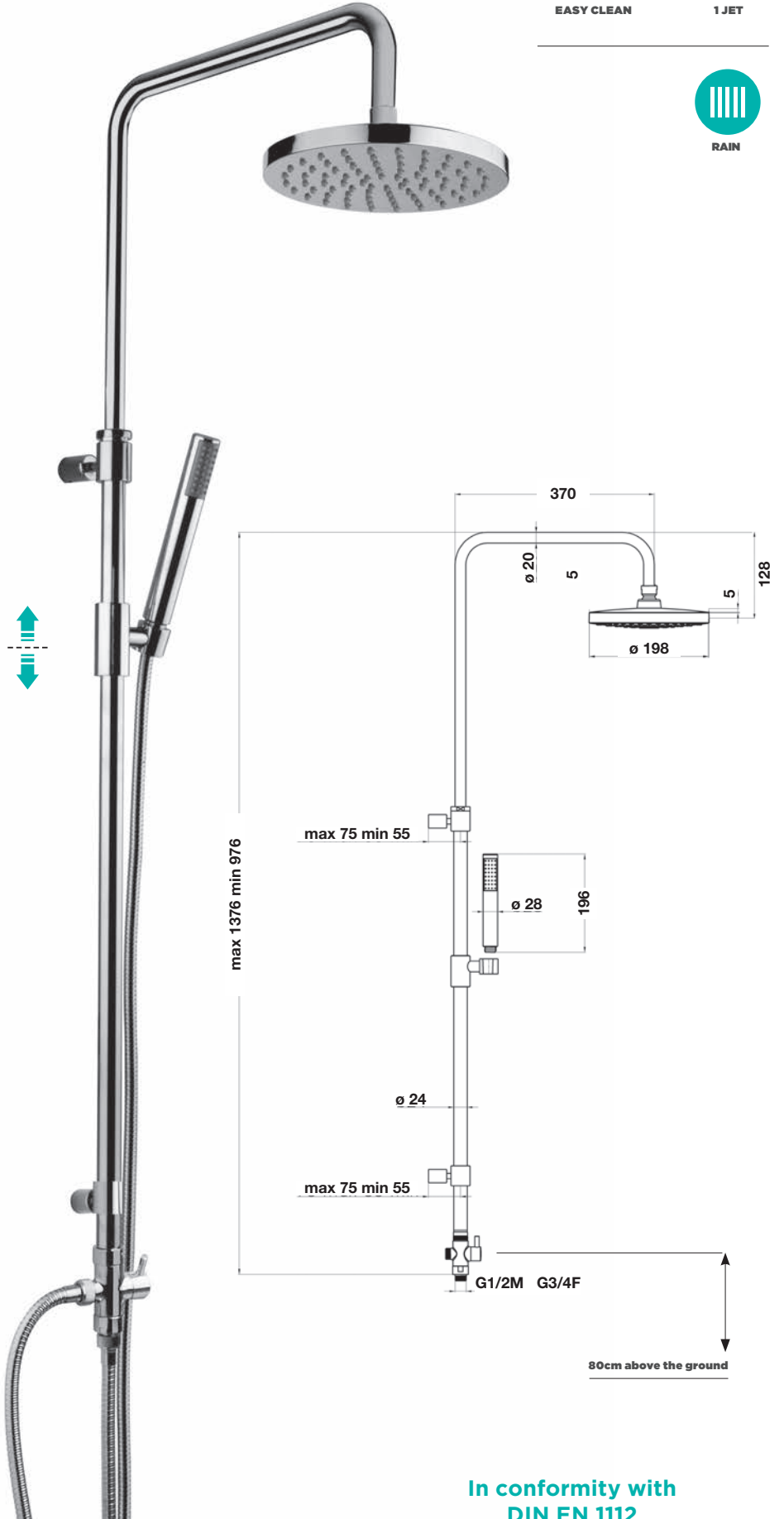
In conformity with
DIN EN 1112

SHOWER SYSTEM

“15210”

ART. SAN15201
designer: UT Sanicro

TELESCOPIC SHOWER COLUMN COMPOSED OF:
C.P. Abs shower head. C.P. Abs handshower. Stainless steel shower hose cm 150 conical nut. Diverter. Fixing kit.



In conformity with
DIN EN 1112

SHOWER SYSTEM

“U/04489”

ART. SAN04489

designer: UT Sanicro

SHOWER COLUMN U

COMPOSED OF:

Chrome/gray ABS round shower head.
Handshower 1 jet. Brass shower column with 2 adjustable end feet. Stainless steel flexible hose aisi 304 cm 150 conical nut. Brass diverter. Fitting kit.



LOW PRESSURE NEEDED



EASY CLEAN



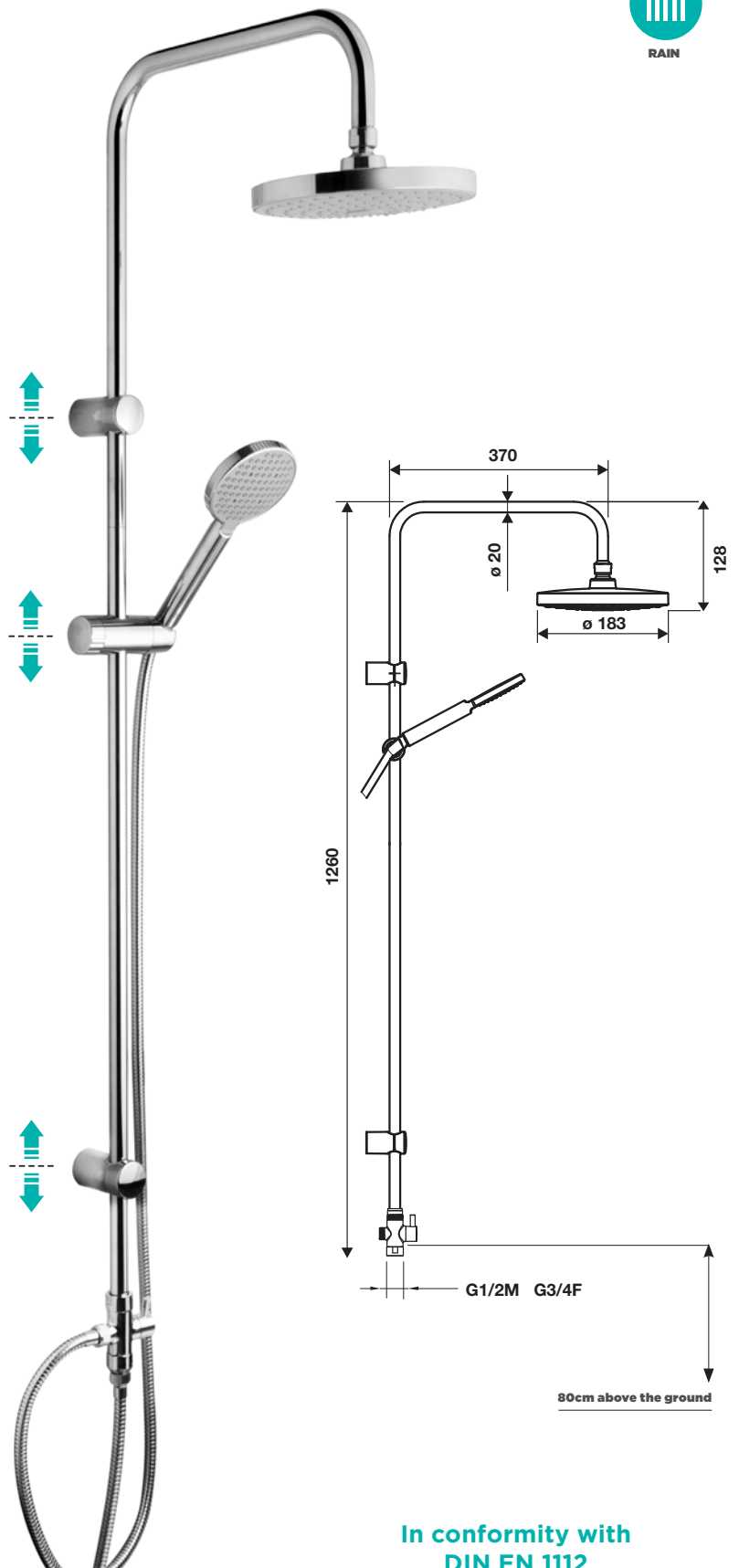
EASY TO ASSEMBLE



1 JET



RAIN



In conformity with
DIN EN 1112

SHOWER SETS

HERE SOME SHOWER SET PROPOSALS.
AVAILABLE ALSO THE SINGLE SEPARATE COMPONENTS
LIKE GLIDE BAR, HANDSHOWER AND FLEXIBLE HOSE.
WE CAN ALSO CREATE THE SHOWER SET
AS YOU PREFER.

SHOWER SET

SAN211

ART. SAN211

designers: UT Sanicro & tonettidesign

SET COMPOSED OF:

Chrome plated handshower 3 jets. Conical brass slide bar. Universalflex flexible hose conical nut cm 150. Fixing kit.



EASY CLEAN



3 JETS



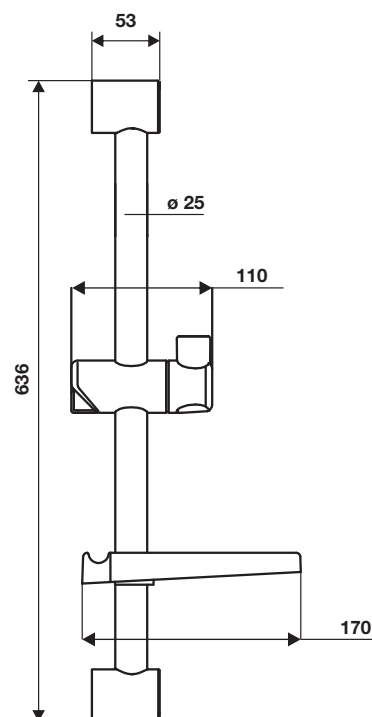
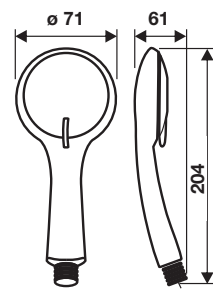
RAIN



MASSAGE



RAIN+MASSAGE



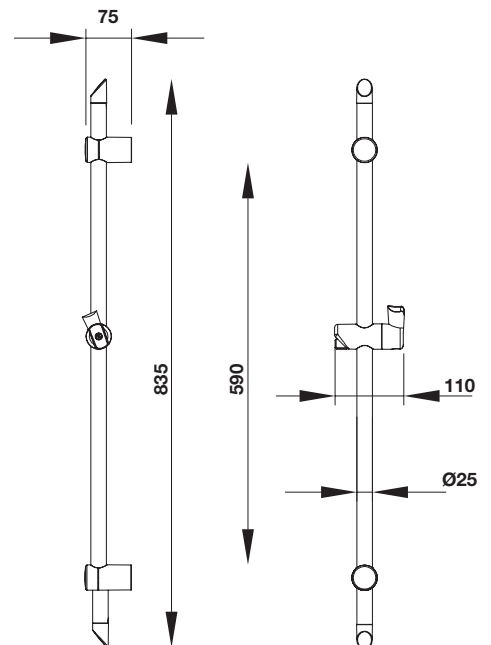
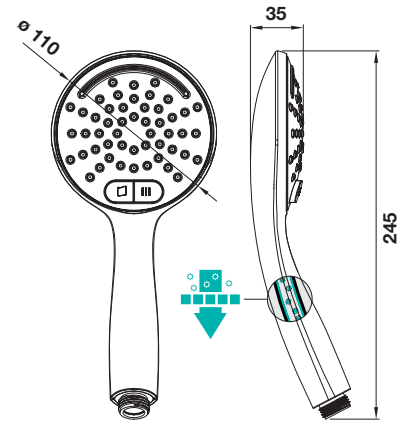
In conformity with
DIN EN 1112

SHOWER SET

SAN231C

ART. SAN231C
designers: UT Sanicro

SET COMPOSED OF:
C.p. abs handshower 2
spray. C.p. brass 2 slider
bar with 2 adjustable feet.
Universal flex 150 cm with
conical nut. Fixing kit.



In conformity with
DIN EN 1112,
ACS and KTW W270

SHOWER SET

SAN206

ART. SAN206

designers: UT Sanicro & tonettidesign

SET COMPOSED OF:

Chrome plated
handshower. 3 jets.
Brass 2 slide bar with
2 adjustable end feet.
Saniflex flexible hose cm
150 conical nut. Fixing kit.



EASY TO ASSEMBLE



EASY CLEAN



3 JETS



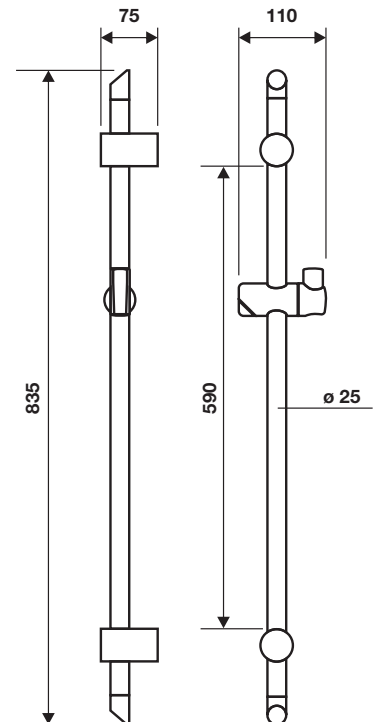
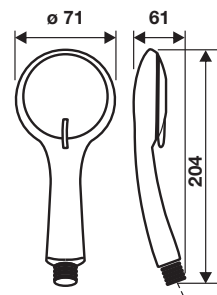
RAIN



MASSAGE



RAIN+MASSAGE



In conformity with
DIN EN 1112

SHOWER SET

SAN205

ART. SAN205

designers: UT Sanicro & tonettidesign

SET COMPOSED OF:

Chrome plated handshower
3 jets. Brass 1 slide bar with
one adjustable end foot.
and one fixed end foot.
Saniflex flexible hose cm
150 conical nut. Fixing kit.



EASY TO ASSEMBLE



EASY CLEAN



3 JETS



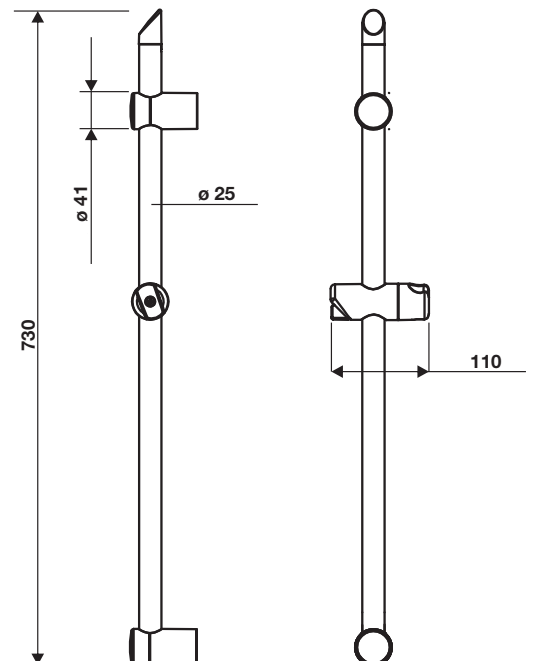
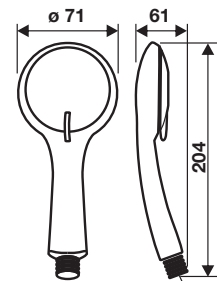
RAIN



MASSAGE



RAIN+MASSAGE



In conformity with
DIN EN 1112

SHOWER SET

SAN209

ART. SAN209

designers: UT Sanicro

SET COMPOSED OF:

Chrome plated handshower 1 jet. Brass slide bar. Saniflex flexible hose conical nut cm 150. Fixing kit.



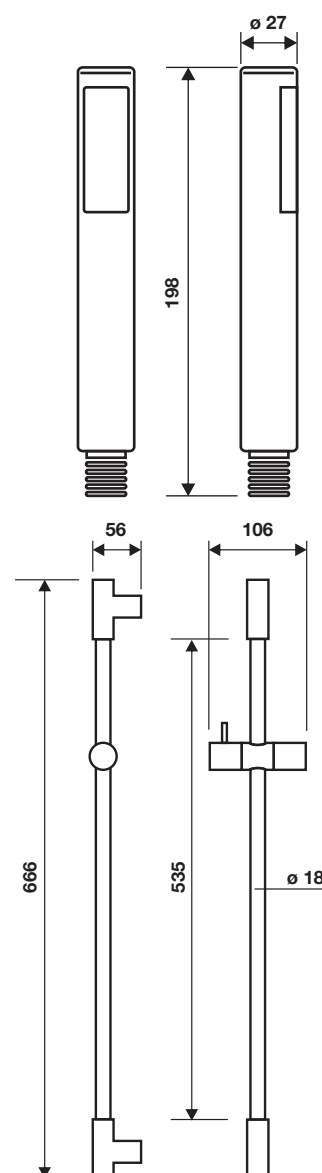
EASY CLEAN



1 JET



RAIN



Alternatively, this model of adjusting ABS sliding rail is still available.

In conformity with
DIN EN 1112, ACS

SHOWER SET

SAN213

ART. SAN213

designers: UT Sanicro & tonettidesign

SET COMPOSED OF:

Chrome plated handshower 1 jet. Brass slide bar. Saniflex hose conical nut cm 150. Fixing kit.



WATER SAVING



EASY TO ASSEMBLE



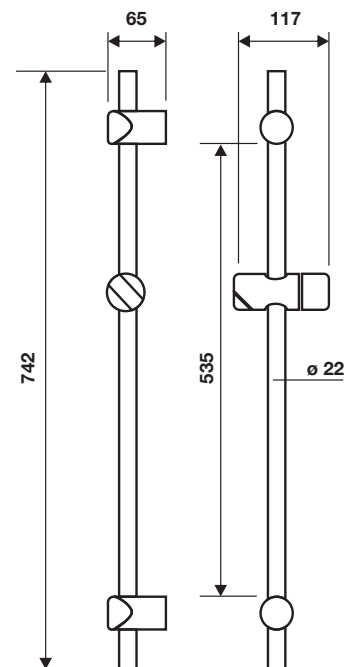
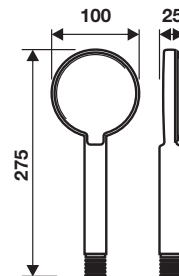
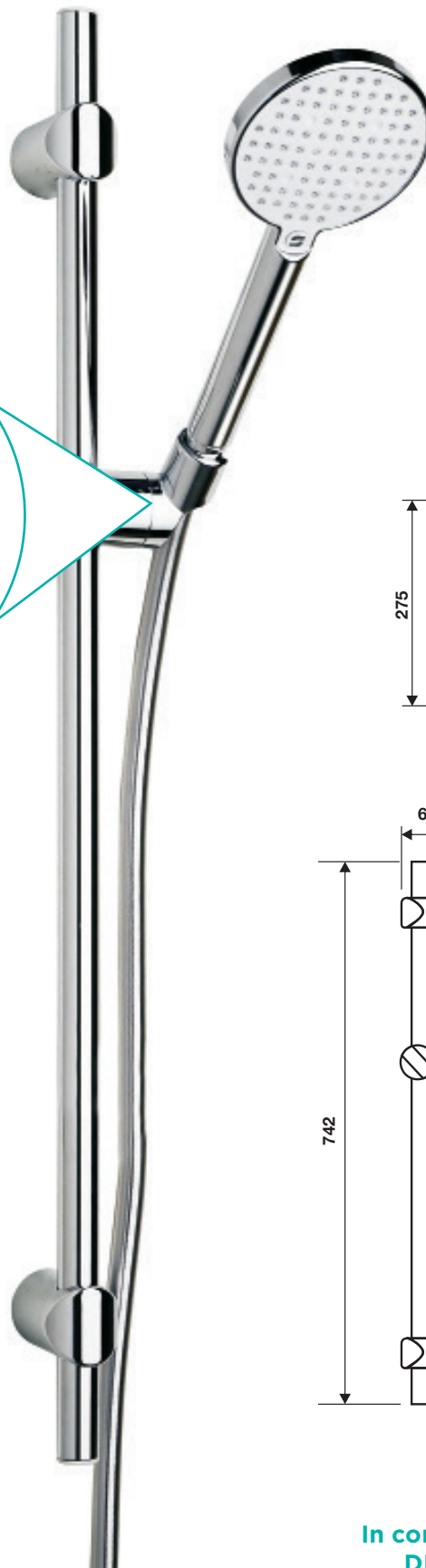
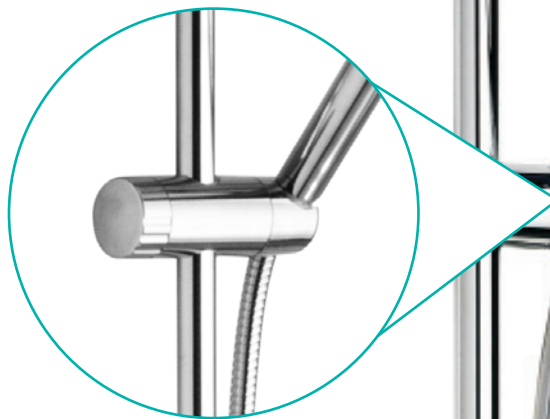
EASY CLEAN



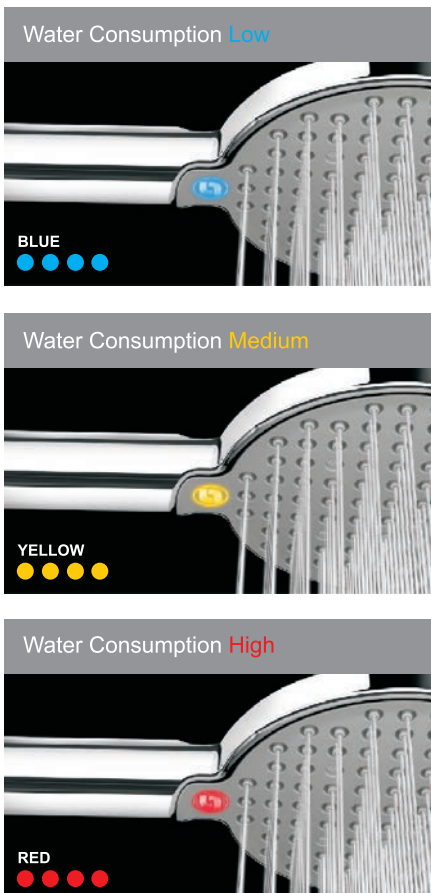
1 JET



RAIN



In conformity with
DIN EN 1112



SHOWER SET

SAN203

ART. SAN203

designers: UT Sanicro & tonettidesign
patented

SET COMPOSED OF:

Chrome plated
handshower 6 jets.
Brass slide bar. Saniflex
flexible hose cm 150
conical nut. Fixing kit.



LOW PRESSURE NEEDED



EASY CLEAN



6 JETS



RAIN



RAIN



RAIN



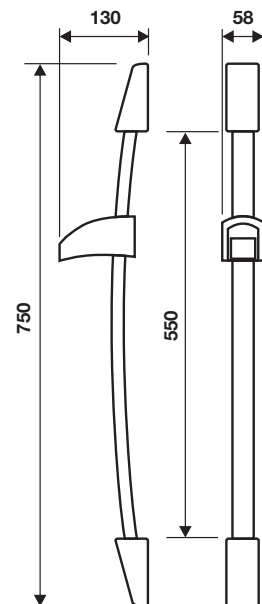
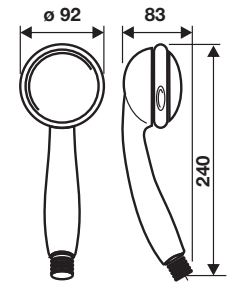
RAIN



RAIN



RAIN



In conformity with
DIN EN 1112, ACS

SHOWER SET

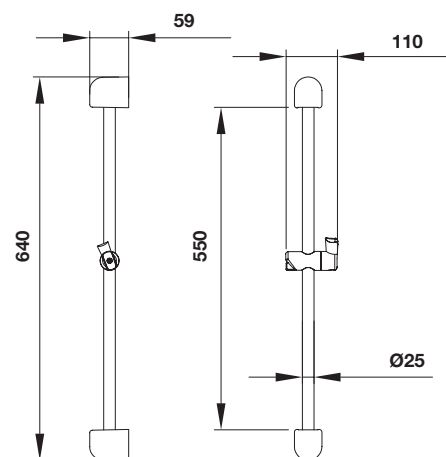
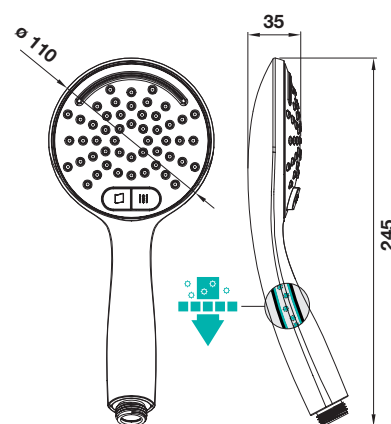
SAN232

ART. SAN232

designers: UT Sanicro

SET COMPOSED OF:

C.p. abs handshower 2
spray. C.p. brass slider bar.
Universal flex 150 cm with
conical nut. Fixing kit.



In conformity with
DIN EN 1112, ACS
and KTW BWGL UBA

SHOWER SET

SAN217

ART. SAN217

designers: UT Sanicro & tonettidesign

SET COMPOSED OF:

Chrome plated
handshower, 5 jets. Brass
slide bar.
Universalflex flexible hose
cm 150 conical nut.
Fixing kit.



LOW PRESSURE NEEDED



EASY CLEAN



5 JETS



RAIN



MASSAGE



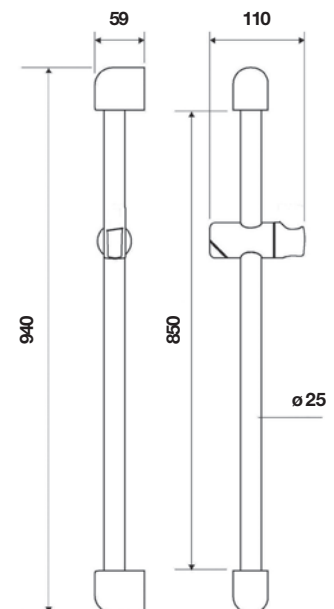
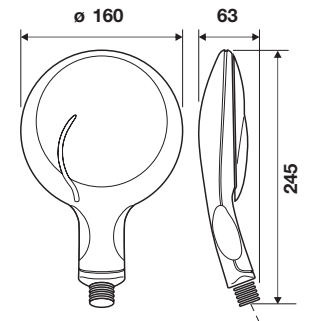
SOFT



RAIN+MASSAGE



RAIN+SOFT



In conformity with
DIN EN 1112, ACS

SHOWER SET

SAN224

ART. SAN224

designers: UT Sanicro & tonettidesign

SET COMPOSED OF:

Chrome plated handshower, 2 jets. Brass slide bar. Universalflex flexible hose cm 150 conical nut. Fixing kit.



EASY CLEAN



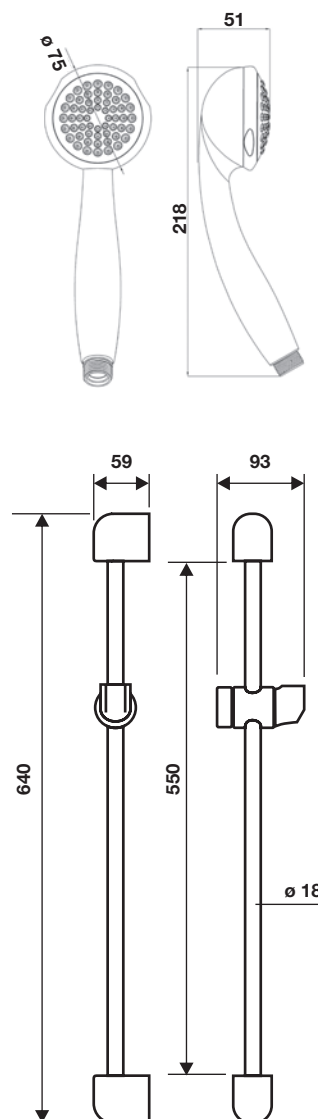
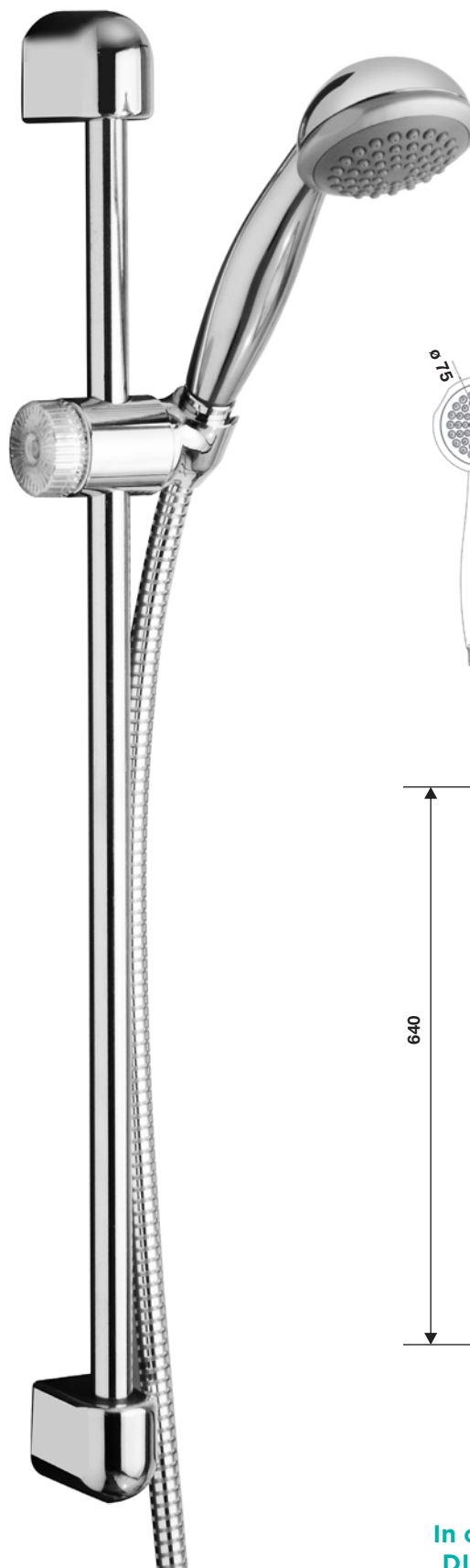
2 JETS



RAIN



MASSAGE



In conformity with
DIN EN 1112, ACS

SHOWER SET

SAN225

ART. SAN225

designers: UT Sanicro & tonettidesign

SET COMPOSED OF:
Chrome plated handshower,
3 jets. Brass slide bar.
Universalflex flexible hose cm
150 conical nut.
Fixing kit.



EASY CLEAN



3 JETS



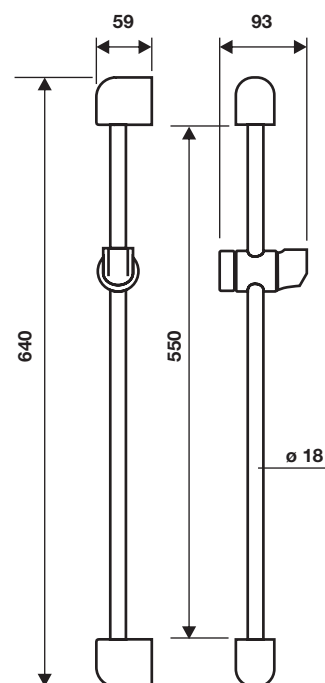
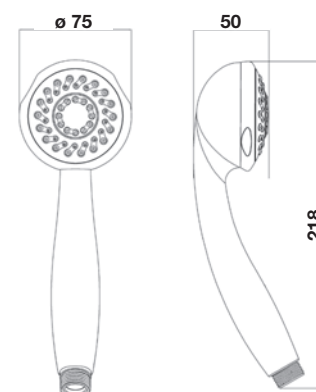
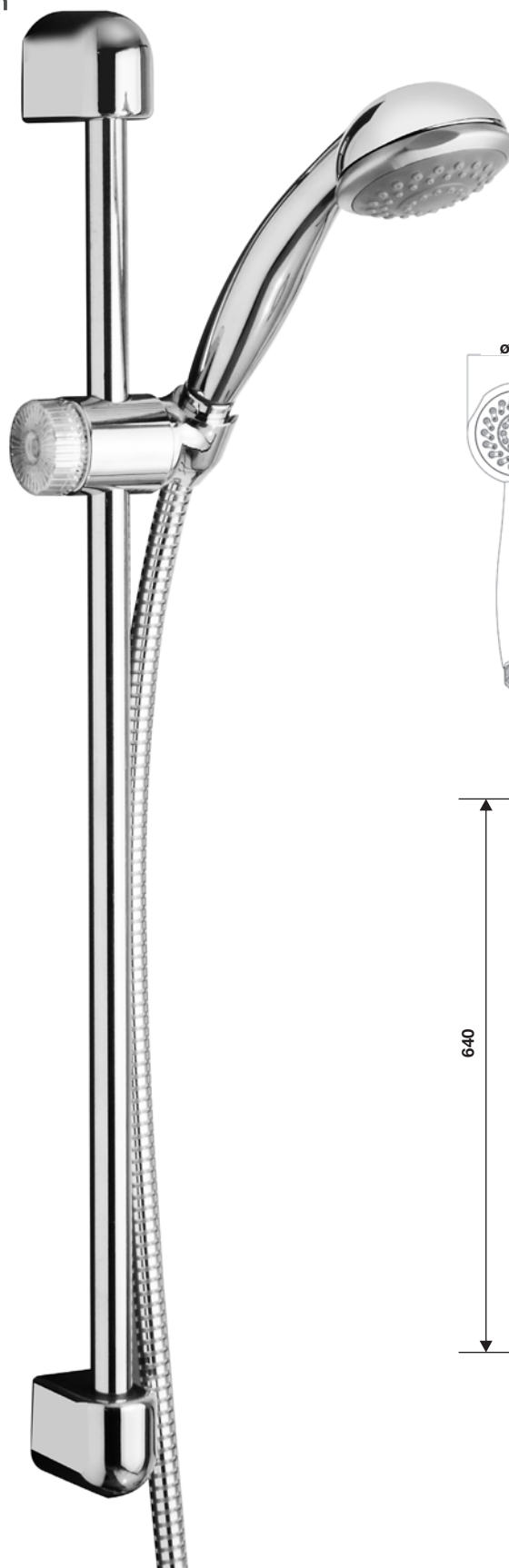
RAIN



MASSAGE



RAIN+MASSAGE



In conformity with
DIN EN 1112, ACS

SHOWER SET

SAN228

ART. SAN228

designers: UT Sanicro & tonettidesign

SET COMPOSED OF:

Chrome plated handshower 1 jet. Brass slide bar. Universalflex flexible hose cm 150 conical nut. Fixing kit.



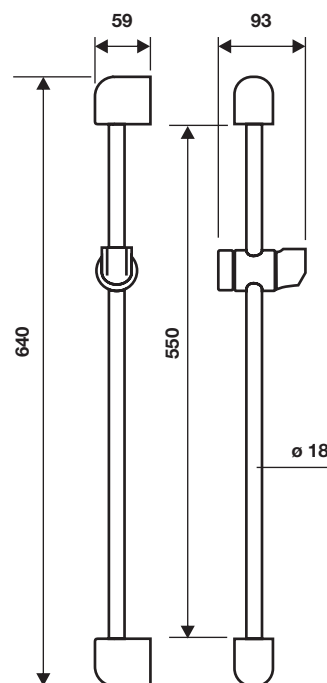
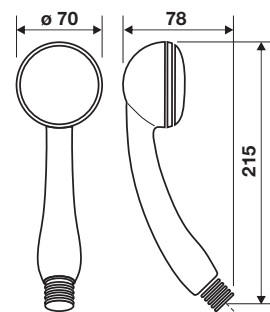
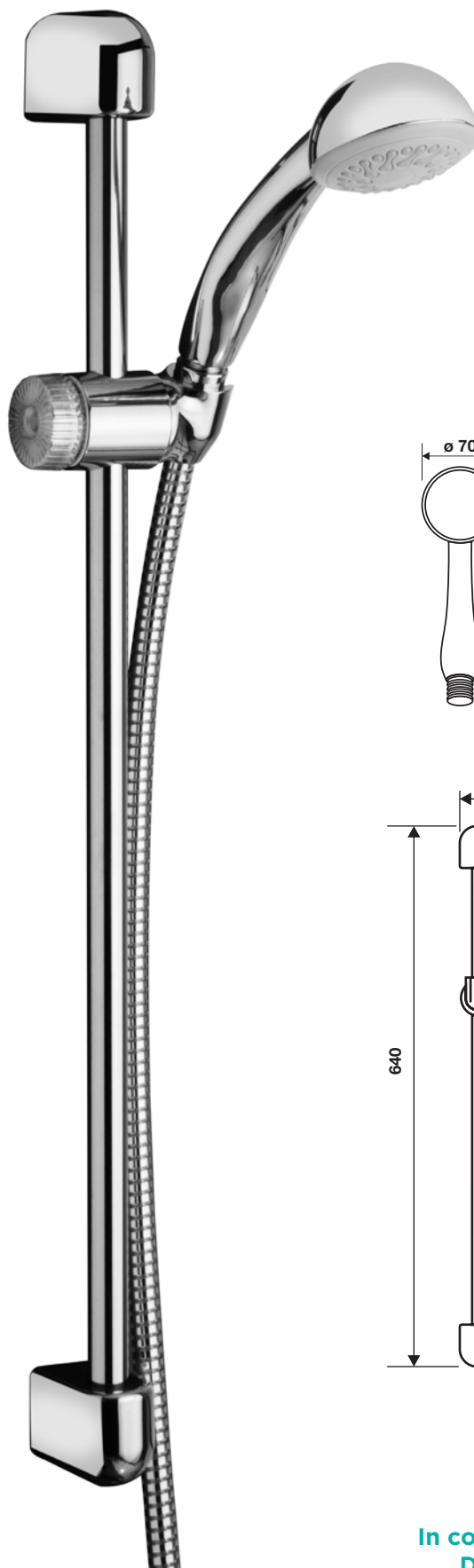
EASY CLEAN



1 JET



RAIN



In conformity with
DIN EN 1112

SHOWER SET

SAN212

ART. SAN212

designers: UT Sanicro & tonettidesign

SET COMPOSED OF:

Chrome plated handshower 3 jets. Conical brass slide bar. Universalflex flexible hose conical nut cm 150. Fixing kit.



EASY CLEAN



3 JETS



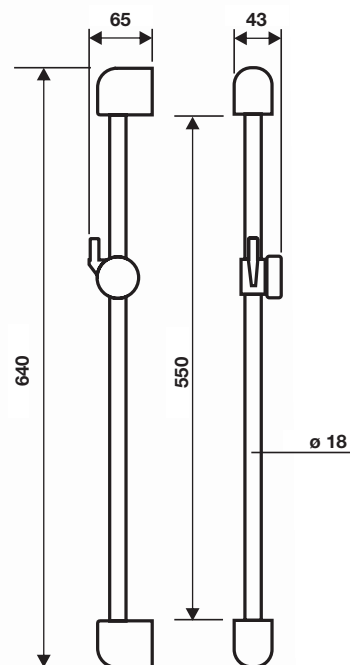
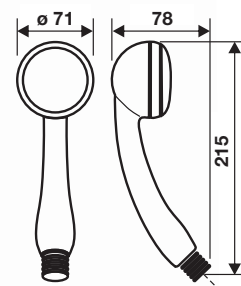
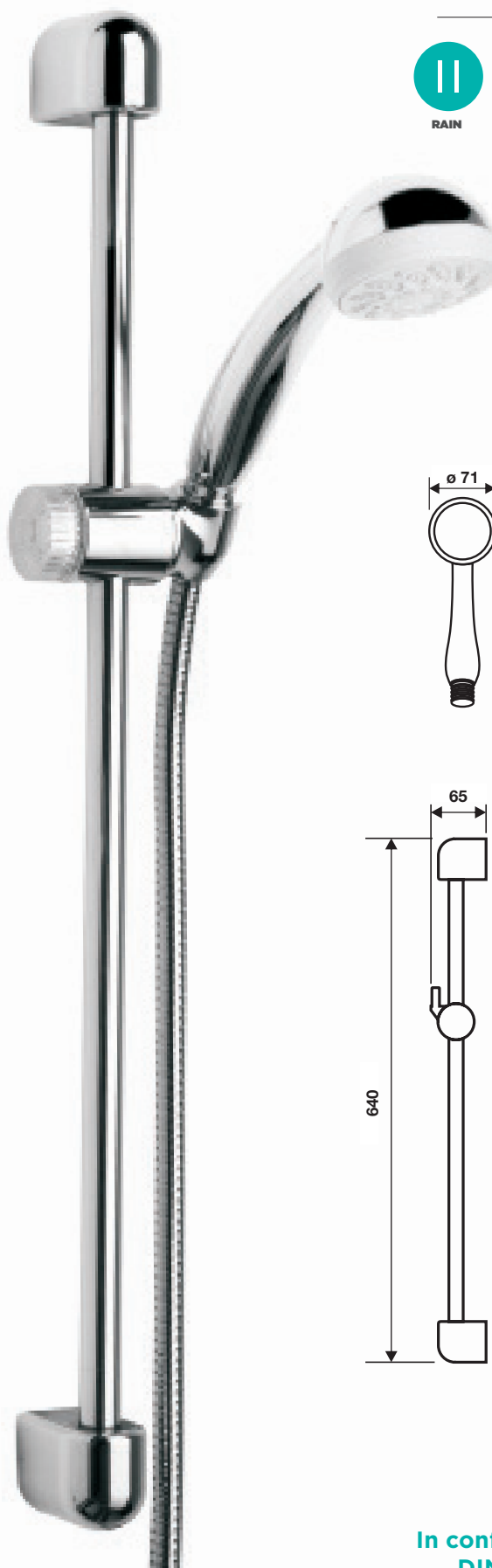
RAIN



RAIN



RAIN



In conformity with
DIN EN 1112

HANSHOWERS/SHOWER HEADS

SAN120

ART. SAN120

designers: UT Sanicro & tonettidesign



EASY CLEAN

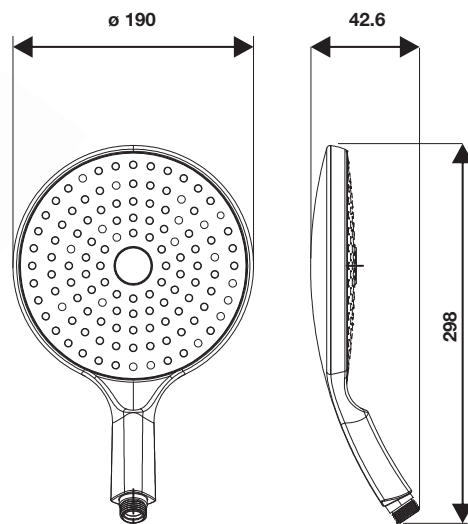


1 JETS



RAIN

CHROME PLATED
HANDSHOWER
1 JET.



In conformity with
DIN EN 1112

SAN128

ART. SAN128

designer: UT Sanicro



EASY CLEAN

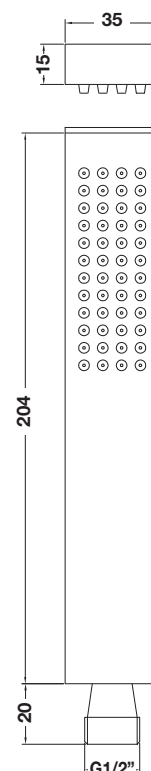


1 JETS



RAIN

CHROME PLATED
BRASS HANDSHOWER.



In conformity with
DIN EN 1112

SAN121

ART. SAN121

designer: tonettidesign



RAIN



MASSAGE



SOFT



RAIN+MASSAGE



RAIN+SOFT

CHROME PLATED
HANDSHOWER
5 JETS.

patented



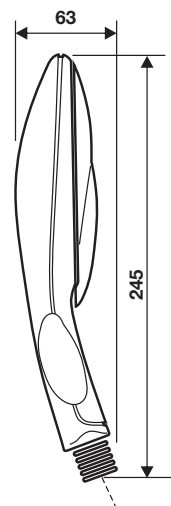
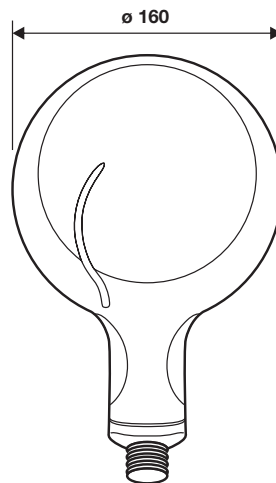
LOW PRESSURE NEEDED



EASY CLEAN



5 JET



In conformity with
DIN EN 1112, ACS

SAN122

ART. SAN122

designer: tonettidesign



RAIN

CHROME PLATED
HANDSHOWER
1 JET.

patented



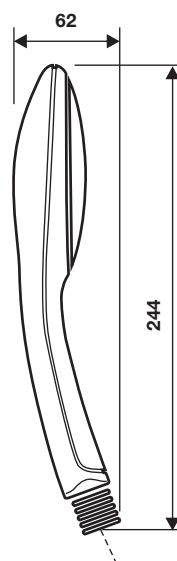
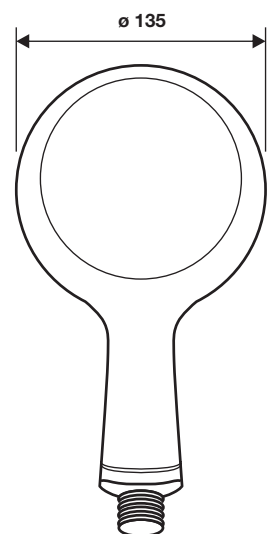
LOW PRESSURE NEEDED



EASY CLEAN



1 JET



In conformity with
DIN EN 1112, ACS

SAN123

ART. SAN123

designer: tonettidesign



RAIN



MASSAGE



RAIN+MASSAGE

CHROME PLATED
HANDSHOWER
3 JETS.

patented



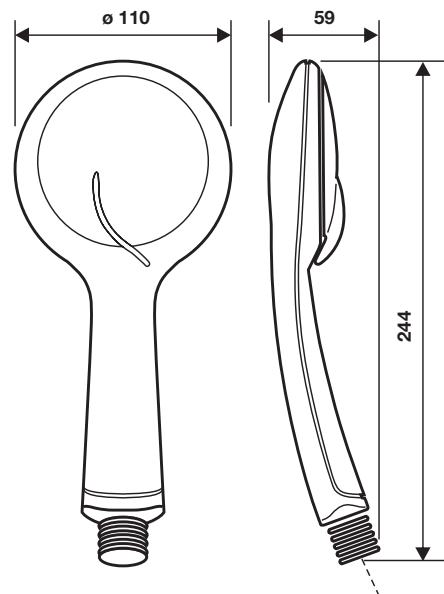
LOW PRESSURE NEEDED



EASY CLEAN



3 JET



In conformity with
DIN EN 1112, ACS

SAN111

ART. SAN111

designer: tonettidesign



RAIN

CHROME PLATED
HANDSHOWER
1 JET.



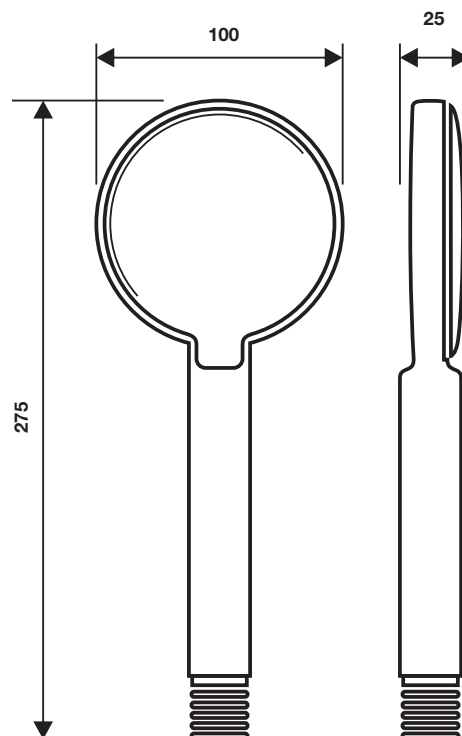
LOW PRESSURE NEEDED



EASY CLEAN



1 JET



In conformity with
DIN EN 1112, ACS

SAN130

ART. SAN130

designer:



RAIN



WATERFALL

C.P. ABS HANDSHOWER
2 JETS.

patented

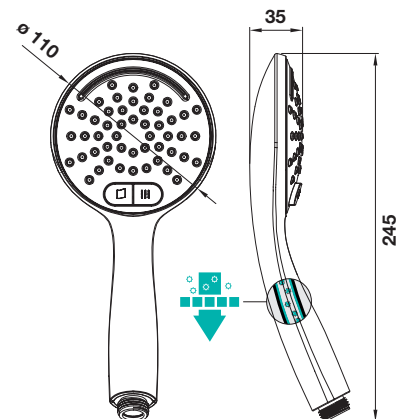
In conformity with
DIN EN 1112, ACS
and KTW W270



EASY CLEAN



2 JETS



SAN112

ART. SAN112

designers: UT Sanicro & tonettidesign



RAIN



MASSAGE



RAIN+MASSAGE

CHROME PLATED
HANDSHOWER
3 JETS.

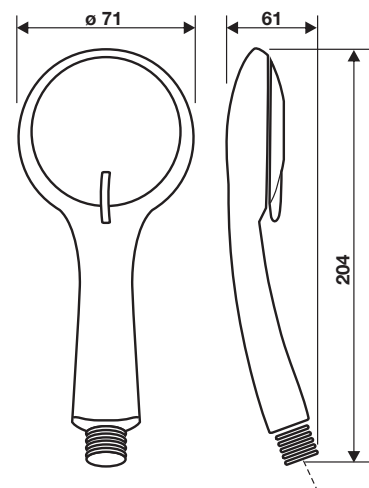
In conformity with
DIN EN 1112



EASY CLEAN



3 JETS



SAN105

ART. SAN105

designers: UT Sanicro & tonettidesign



RAIN



MASSAGE



SOFT



RAIN+MASSAGE



RAIN+SOFT

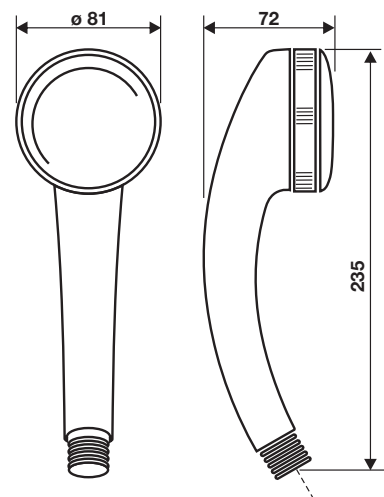
CHROME PLATED
HANDSHOWER
5 JETS.



EASY CLEAN



5 JETS



In conformity with
DIN EN 1112, ACS

DREI MONO

ART. D101

designer: exclusive Sanicro products



RAIN

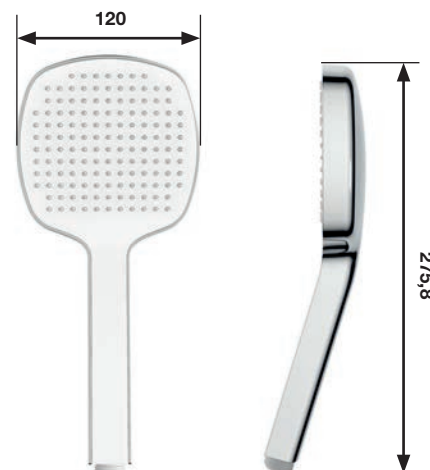
C.P. ABS HANDSHOWER
DREI MONO
1 JET.



EASY CLEAN



1 JET



In conformity with
DIN EN 1112, ACS
and KTW W270

DREI

ART. D102

designer: exclusive Sanicro products



EASY CLEAN



3 JETS



RAIN



MASSAGE



RAIN+MASSAGE

C.P. ABS HANDSHOWER DREI
3 JETS.



ø 120 mm (4.724")



275 mm
(10.826")

in conformity with
DIN EN 1112, ACS
and KTW W270

SAN126

ART. SAN126

designer: tonettidesign



EASY CLEAN



5 JETS



RAIN



MASSAGE



SOFT



RAIN+MASSAGE

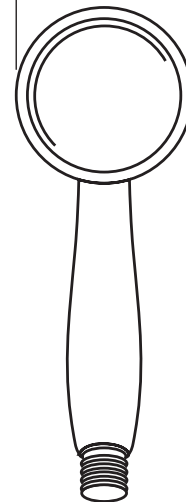


RAIN+SOFT

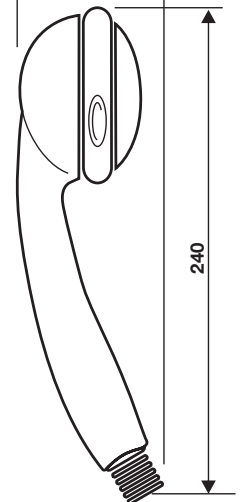
CHROME PLATED
HANDSHOWER
5 JETS.



ø 92



83



240

In conformity with
DIN EN 1112

SAN104

ART. SAN104

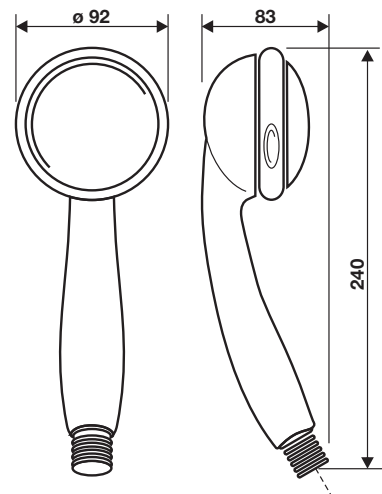
designers: UT Sanicro & tonettidesign



CHROME PLATED
HANDSHOWER
6 JETS.



In conformity with
DIN EN 1112, ACS



SAN106

ART. SAN106

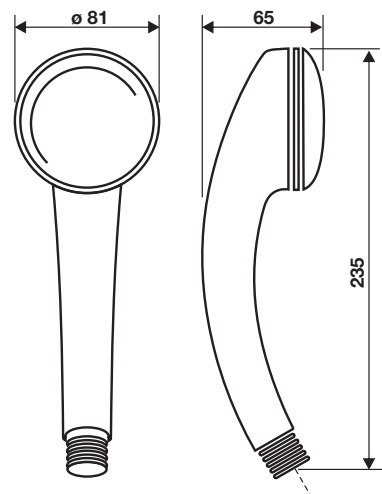
designers: UT Sanicro & tonettidesign



CHROME PLATED
HANDSHOWER
1 JET.



In conformity with
DIN EN 1112, ACS



SAN108

ART. SAN108

designer: tonettidesign



RAIN



MASSAGE



SOFT



RAIN+MASSAGE



RAIN+SOFT

CHROME/SATIN PLATED
HANDSHOWER
5 JETS.



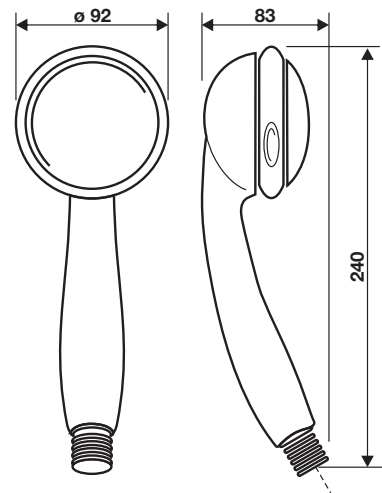
In conformity with
DIN EN 1112, ACS



EASY CLEAN



5 JETS



SAN107

ART. SAN107

designer: tonettidesign



RAIN



RAIN



RAIN

CHROME/SATIN PLATED
HANDSHOWER
3 JETS.



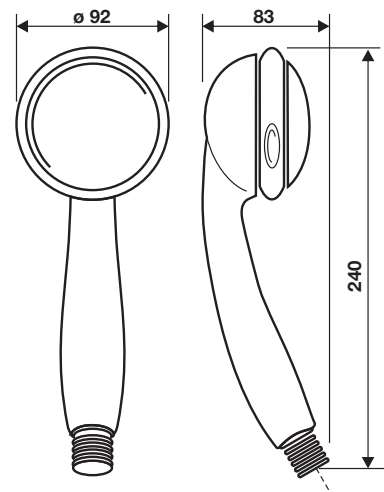
In conformity with
DIN EN 1112, ACS



EASY CLEAN



3 JETS



SAN131

ART. SAN131

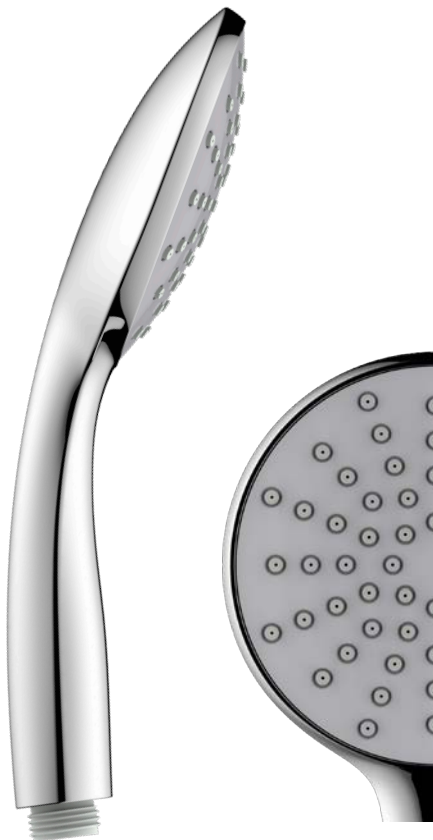
designers: UT Sanicro



RAIN

C.P. ABS HANDSHOWER
1 JET.

In conformity with
DIN EN 1112, ACS
and KTW W270



EASY CLEAN



1 JET

KARINA

ART. D109

designers: UT Sanicro



RAIN



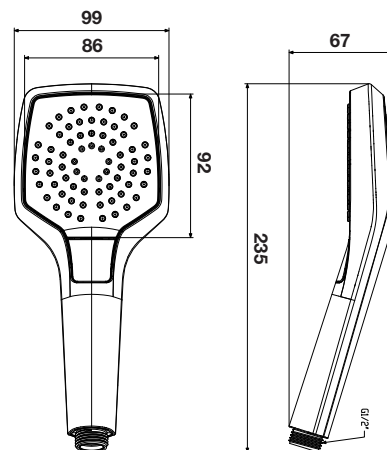
RAIN



RAIN

C.P. ABS HANDSHOWER
KARINA
4 JETS.

In conformity with
DIN EN 1112, ACS
and KTW W270



EASY CLEAN



4 JETS

SAN113

ART. SAN113

designers: UT Sanicro & tonettidesign



RAIN



MASSAGE



RAIN+MASSAGE

**CHROME PLATED
HANDSHOWER
3 JETS.**



LOW PRESSURE NEEDED

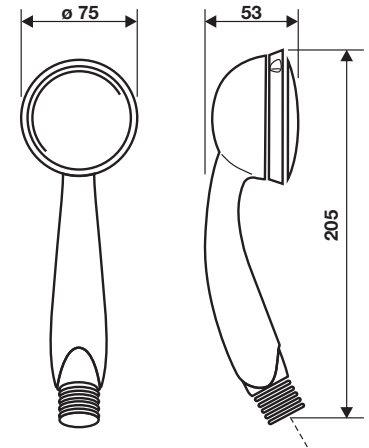


EASY CLEAN



3 JET

In conformity with
DIN EN 1112, ACS



SAN110

ART. SAN110

designers: UT Sanicro



RAIN

**C.P. ABS HANDSHOWER
MINIMAL
1 JET.**

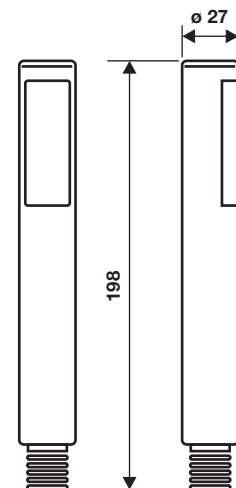


FACILE PULITURA
EASY CLEAN



1 GETTO
1 JET

In conformity with
DIN EN 1112, ACS



KENDRA

ART. D115

designers: UT Sanicro



RAIN



MASSAGE



SOFT



RAIN+MASSAGE



RAIN+SOFT

C.P. ABS HANDSHOWER
KENDRA
5 JETS.



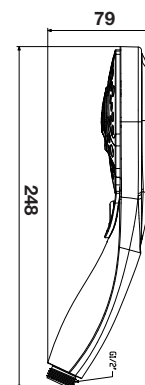
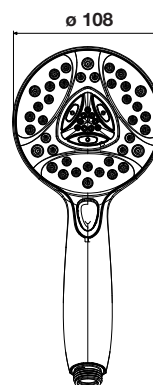
In conformity with
DIN EN 1112, ACS
and KTW W270



EASY CLEAN



5 JETS



SAN116

ART. SAN116

designers: UT Sanicro & tonettidesign



RAIN

CHROME PLATED
HANDSHOWER
1 JET.



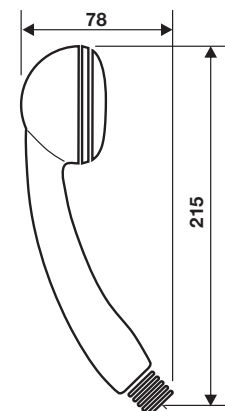
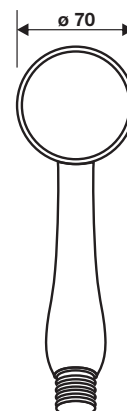
In conformity with
DIN EN 1112, ACS



EASY CLEAN



1 JETS



SAN115

ART. SAN115

designers: UT Sanicro & tonettidesign



EASY CLEAN



3 JETS



RAIN

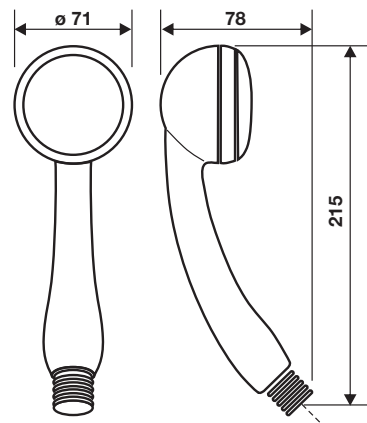


MASSAGE



RAIN+MASSAGE

CHROME PLATED
HANDSHOWER
3 JETS.



In conformity with
DIN EN 1112

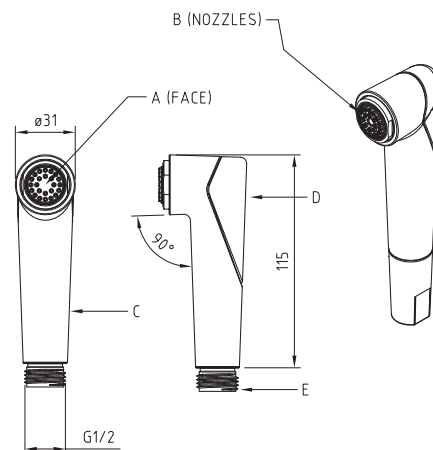
KIT CONNI

ART. KITCON01CR

designer: UT Sanicro

KIT SHATTAF CONNI COLLECTION:
ABS CHROME PLATED WITH INTERNAL NON-TOXIC POM TUBE. NEOPERL 4 LT/MIN LIMESCALE WATER JET, START AND STOP BUTTON, 1/2" M CONNECTION. COMPLETE WITH WATER INTAKE WITH SAFETY SYSTEM WHICH STOPS THE WATER FLOW BEFORE THE FLEXIBLE HOSE CONNECTION JUST PLACING THE SHOWER IN ITS CONICAL SUPPORT. STAINLESS STEEL CHROME PLATED FLEXIBLE HOSE, DOUBLE INTERLOCK FOR HIGH WATER PRESSURE, LENGTH 120 CM WITH 1/2 "F X 1/2" CONICAL CONNECTION.

AVAILABLE ALSO IN WHITE



In conformity with
SASO and WEL

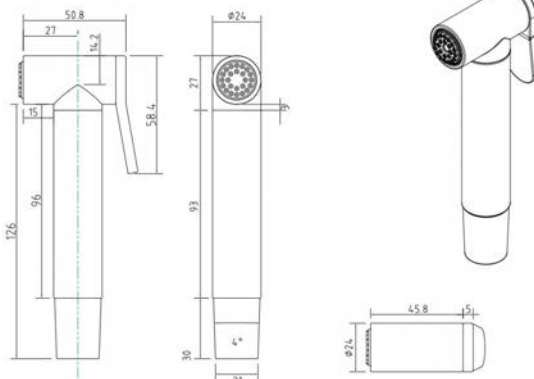
KIT FINE

ART. KITFIN01CR

designer: UT Sanicro

KIT SHATTAF FINE COLLECTION:

BRASS CHROME PLATED, NEOPERL
4 LT/MIN LIMESCALE WATER JET,
START AND STOP BUTTON, 1/2" M
CONNECTION. COMPLETE WITH WATER
INTAKE WITH SAFETY SYSTEM WHICH
STOPS THE WATER FLOW BEFORE
THE FLEXIBLE HOSE CONNECTION
JUST PLACING THE SHOWER IN ITS
CONICAL SUPPORT. STAINLESS STEEL
CHROME PLATED FLEXIBLE HOSE,
DOUBLE INTERLOCK FOR HIGH WATER
PRESSURE, LENGTH 120 CM WITH 1/2 "F
X 1/2" CONICAL CONNECTION.



In conformity with
SASO and WEL

SAN314

ART. SAN314

designer: UT Sanicro



RAIN

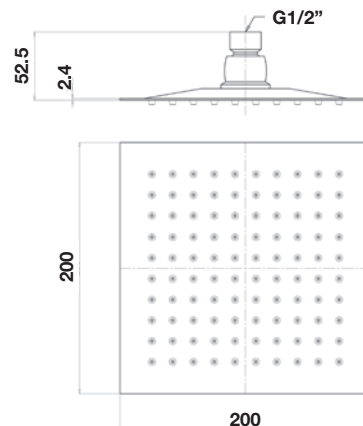
STAINLESS STEEL
SQUARE SHOWER HEAD.



EASY CLEAN



1 JETS



In conformity with
DIN EN 1112

SAN315

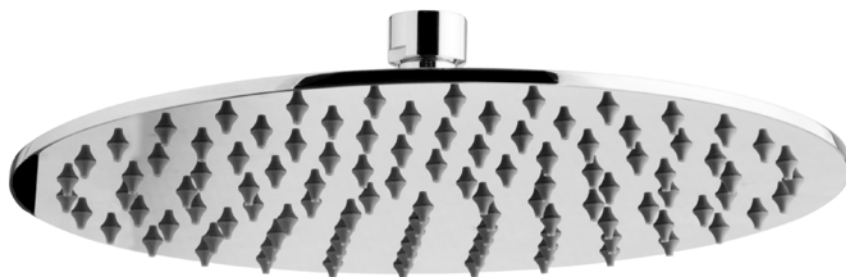
ART. SAN315

designer: UT Sanicro



RAIN

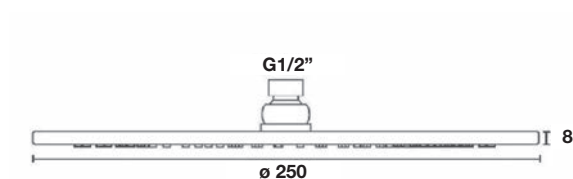
STAINLESS STEEL ROUND
SHOWER HEAD.



EASY CLEAN



1 JETS



In conformity with
DIN EN 1112

SAN313

ART. SAN313

designer: UT Sanicro



RAIN

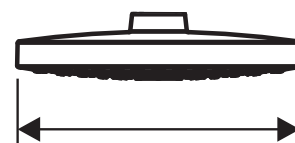
ABS CHROME PLATED
SHOWER HEAD
1 JET.



EASY CLEAN



1 JETS



ø 183

In conformity with
DIN EN 1112

SAN306

ART. SAN306

designer: UT Sanicro



RAIN



MASSAGE



SOFT



RAIN+MASSAGE



RAIN+SOFT

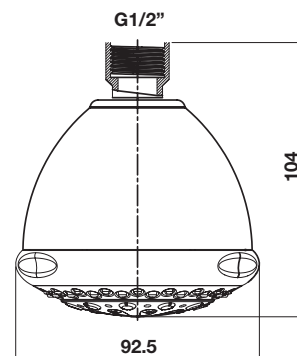
ABS CHROME PLATED
SHOWER HEAD
5 JETS.



EASY CLEAN



5 JETS



In conformity with
DIN EN 1112

SAN307

ART. SAN307

designer: UT Sanicro



RAIN



MASSAGE



SOFT



MIST



RAIN+MASSAGE



RAIN+SOFT



RAIN+MIST

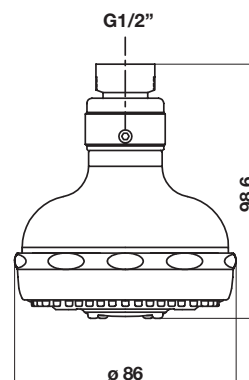
ABS CHROME PLATED
SHOWER HEAD
7 JETS.



EASY CLEAN



7 JETS



In conformity with
DIN EN 1112

SAN308

ART. SAN308

designer: UT Sanicro



EASY CLEAN

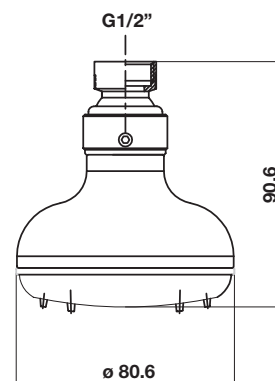


1 JETS



RAIN

ABS CHROME PLATED
SHOWER HEAD
1 JET.

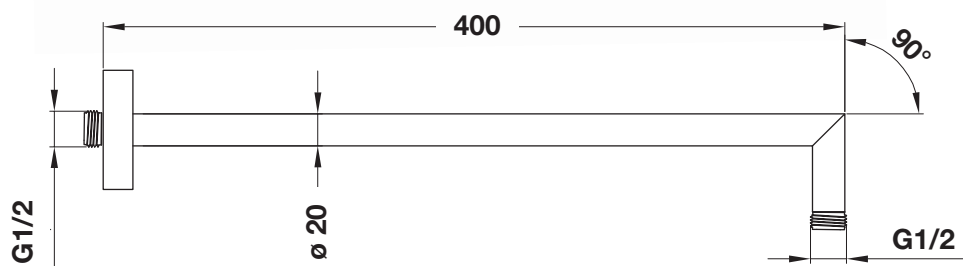


In conformity with
DIN EN 1112

SAN526

ART. SAN313

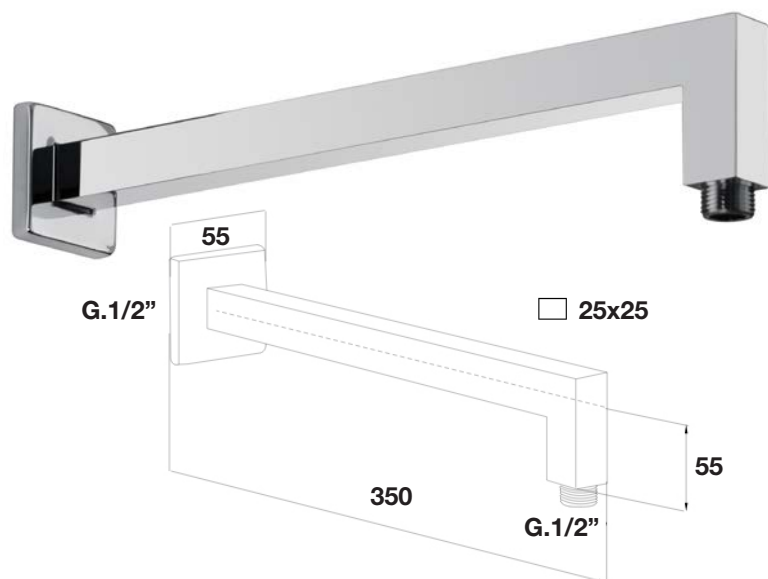
C.p. brass shower arm d.20 40 cm.



SAN535

ART. SAN306

C.p. brass shower arm 25X25 350mm.



ACCESSORIES

ART. SAN528 ø25

SLIDER D.25.



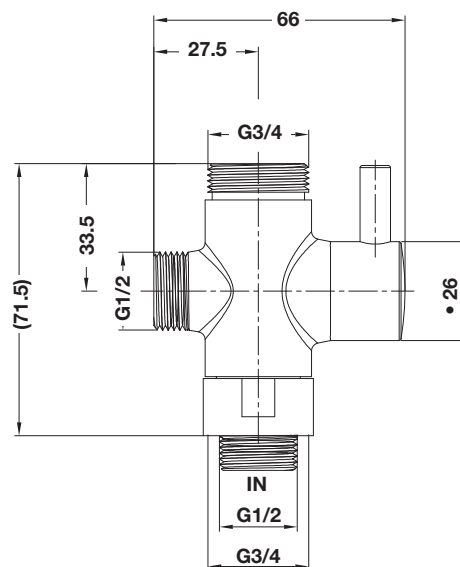
ART. SAN528 ø18

SLIDER D.18.



ART. SAN527

C.P. BRASS DIVERTER 3/4.



ART. SAN511

CHROME PLATED ABS FIXED CONICAL SHOWER HOLDER.



ART. WI01CR

WATER INTAKE WITH SAFETY SYSTEM MADE IN BRASS.



ART. SAN513

ROUND SOAP DISH Ø MM 18/22/25.



ART. SAN512

SOAP DISH Ø MM 18/25.



ART. SAN515

SOAP DISH "ARC-ELLY".



ART. SAN516

SOAP DISH Ø MM 18/25 WITH HOSE RETAINER.



ART. SAN517

SAVING WATER WASHERS KIT.



ART. SAN518

FLOW REGULATOR 8 L/M.



ART. SAN406 cm 150

**CHROME PLATED STAINLESS STEEL FLEXIBLE HOSE
DOUBLE CLINCHING 1/2 X 1/2 CM 150 CONICAL NUT.**



ART. SAN406 cm 200

**CHROME PLATED STAINLESS STEEL FLEXIBLE HOSE
DOUBLE CLINCHING 1/2 X 1/2 CM 200 CONICAL NUT.**



ART. SAN404 cm 150

**PLASTIC SANIFLEX FLEXIBLE HOSE
1/2 X 1/2 CM 150 CONICAL NUT.**



ART. SAN101 cm 150

**PLASTIC CHROME/TRANSPARENT UNIVERSAL FLEX
FLEXIBLE HOSE 1/2 X 1/2 CM 150 CONICAL NUT.**



ART. SAN403 cm 150

**PLASTIC REINFORCED FLEXIBLE HOSE 1/2 X 1/2
CM 150 CONICAL NUT.**



ART. SAN403 cm 200

**PLASTIC REINFORCED FLEXIBLE HOSE 1/2 X 1/2
CM 200 CONICAL NUT.**



ART. SAN405 cm 150

**STAINLESS STEEL FLEXIBLE HOSE AISI 304 CM 150
CONICAL NUT.**



ART. SAN405 cm 200

**STAINLESS STEEL FLEXIBLE HOSE AISI 304 CM 200
CONICAL NUT.**



ART. SHFLEX01CR

**STAINLESS STEEL FLEXIBLE HOSE, FOR HIGH WATER
PRESSURE, DOUBLE INTERLOCK, 120 CM,
1/2" F X 1/2" CONICAL.**



PICTOGRAMS



LOW PRESSURE NEEDED

LOW PRESSURE: Product sprays an homogeneous and well defined jet under a low water pressure, it works in an very good way both with low water pressures than with all types of water pressure.



EASY CLEAN

EASY CLEAN: Thanks to the rubber soft shower nozzles, the product can be easily cleaned from mineral deposits simply by moving the nozzles with your fingers, it is always recommended to clean the product with white vinegar after several periods of use.



EASY TO ASSEMBLE

EASY ASSEMBLY: When replacing an existing product, our product can be easily installed without drilling the wall, simply the article can be fixed to the wall using the existing holes, of course, in the case of first installation, it will require drilling.



3 JETS

JETS: It indicates how many sprays the handshower and showerhead have.



SHOWER TRAY

SHOWER TRAY: Shows the minimum recommended size for the shower tray.



WATER SAVING

SAVING WATER: Through a sequence of different colours, the product makes the user aware of the real water consumption, allowing him to limit its use and safeguarding both his own savings than the protection of a common good.

COMMERCIAL CONDITIONS

1. PURCHASE ORDERS

All orders will be provided in according to the standard conditions listed in this catalogue. The order sent to Sanicro is always understood as a proposed order and it's in the Sanicro's right to accept or reject it. After three days of receipt, and getting nothing from Sanicro, the order is fully accepted as order. The order shall indicate the exact codes and descriptions of the ordered articles prices, delivery terms and details of the customer including vat.

2. RETURNS

No return can be accepted if it has not been previously accepted by SANICRO in writing.

3. PACKAGING

The packaging of each item is included in the selling price and it has been studied to be then added on wooden pallets.

4. TRANSPORT

The transport is ex works or free customer warehouse with debit on the invoice and this option will be agreed directly with SANICRO's area agent or directly to SANICRO. Any shipment of goods is carried out on behalf of the receiver, and then at his own risk. Upon receipt of the goods, the receiver must verify that the package is intact, that the merchandise is not damaged or that any defective merchandise have been received and that there is any missing or different item than indicated on the delivery document. Any claim relating to the packaging, damages or defects, shortfalls or any other complaint related to the received goods should be reported immediately writing on the transport document the reserve "goods received under controll reserve". The reserve must then be comunicated to Sanicro by fax to +39.030.881081 or by email at sanicro@sanicro.it within 8 days from the receipt date of goods.

5. DELIVERY

The delivery terms constitute a commitment for Sanicro but they cannot be relied upon by the customer as reason to cancel the order. Delivery times are provided in two-three weeks from Sanicro order confirmation.

6. CHANGES

Technical and aesthetic characteristics, sizes, weights and packagings of the items showed in the catalogue are liable to changes without notice.

7. LEGAL NOTICE

In case of dispute or disagreement coming from these terms of trade or just related to them, the competent court of justice will be the Tribunal of Brescia (Italy) exclusively, with the express and agreed exclusion of any other alternative or competing court of justice.

sanicro[®]

WWW.SANICRO.IT
sanicro@sanicro.it

T +39 030 8980621

WILDEN SRL
VIA VENETO 84
25069 CAILINA DI VILLA CARCINA
(BRESCIA) ITALY



saniCRO[®]